



AS-Interface gateway VBG-ENX-K20-D

- Gateway compliant with AS-Interface specification 3.0
- Connection to Ethernet Modbus TCP/IP
- Duplicate addressing detection
- Integrated webservice
- Earth fault detection
- AS-Interface noise detection
- Ethernet diagnostic interface
- Integrated switch allows line topology
- DLR technology supports ring topology

EtherNet/IP + Modbus TCP Gateway



Function

The VBG-ENX-K20-D is an Ethernet/IP + Modbus TCP gateway in accordance with ASInterface specification 3.0. The design of the K20 in stainless steel with IP20 is particularly suited for use in switching cabinets for snap on mounting on the 35 mm mounting rail.

The gateway in accordance with the AS-Interface specification V 3.0 is used to connect AS-Interface systems to a higher-level net. It acts as a master for the AS-Interface segment and as a slave for the higher-level net. During cyclic data exchange, the digital data of an AS-Interface segment is transferred. Analog values as well as the complete command set of the new AS-Interface specification are transferred using a command interface.

The address allocation and acceptance of the target configuration can be achieved via the keys. 7 LEDs fitted to the front panel indicate the actual state of the AS-Interface branch.

With the graphical display, the commissioning of the AS-Interface circuits and testing of the connected peripherals can take place completely separately from the commissioning of the higher-level network and the programming. With the 4 switches, all functions can be controlled and visualized on the display.

The device has a card slot for a memory card for the storage of configuration data.

An integrated Switch and 2 RJ-45 sockets allow the design of a line topology without the use of an external Switch.

The device level ring protocol DLR increases the reliability of a ring topology at the device level, thus optimizing the machine running times.

An integrated webservice allows to administrate the device and The AS-interface network without additional hard and/or software via a browser interface.

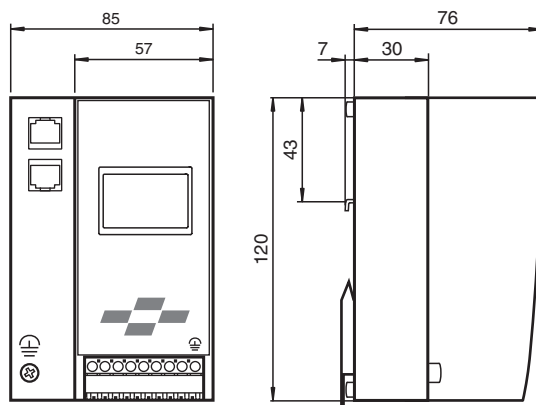
PLC Functionality

Optionally the gateway is also available with PLC functionality. Therefore you can order a code key VAZ-CTR additionally.

Operation

In an AS-Interface network only one device can be operated earth fault detection. If there are many devices in an AS-Interface network, this can lead to the earth fault monitoring response threshold becoming less sensitive.

Dimensions



Release date: 2022-12-15 Date of issue: 2022-12-15 Filename: 217255_eng.pdf

Refer to "General Notes Relating to Pepperl+Fuchs Product Information".

Pepperl+Fuchs Group
www.pepperl-fuchs.com

USA: +1 330 486 0001
fa-info@us.pepperl-fuchs.com

Germany: +49 621 776 1111
fa-info@de.pepperl-fuchs.com

Singapore: +65 6779 9091
fa-info@sg.pepperl-fuchs.com

PF PEPPERL+FUCHS

Technical Data

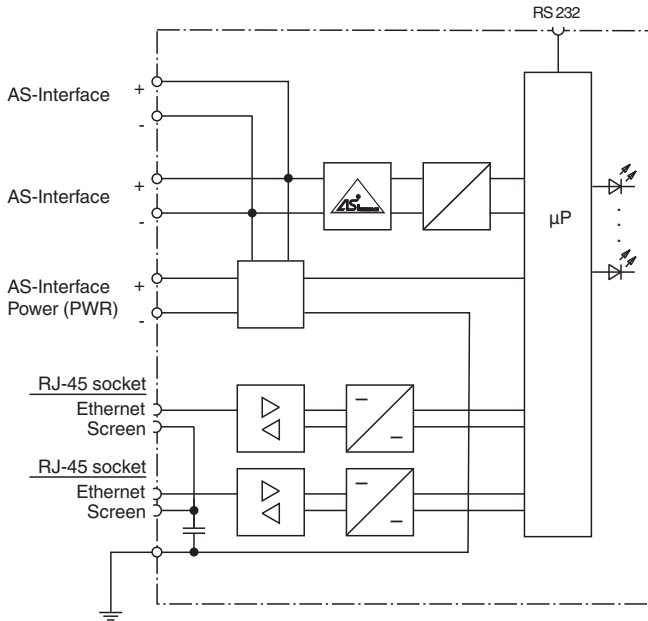
General specifications		
AS-Interface specification		V3.0
PLC-Functionality		activateable
Duplicate address detection		from AS-Interface slaves
Earth fault detection	EFD	integrated
EMC monitoring		integrated
Diagnostics function		Extended function via display
UL File Number		E223772 only from low voltage, limited energy source (SELV or PELV) or listed Class 2 source
Functional safety related parameters		
MTTF _d		105 a at 30 °C
Indicators/operating means		
Display		Illuminated graphical LC display for addressing and error messages
LED ETHERNET		ethernet active; LED green
LED AS-i ACTIVE		AS-Interface operation normal; LED green
LED CONFIG ERR		configuration error; LED red
LED PRG ENABLE		autom. programming; LED green
LED POWER		voltage ON; LED green
LED PRJ MODE		projecting mode active; LED yellow
LED U AS-i		AS-Interface voltage; LED green
Button		4
Electrical specifications		
Insulation voltage	U _i	≥ 500 V
Rated operating voltage	U _e	from AS-Interface 30 V DC
Rated operating current	I _e	≤ 300 mA from AS-Interface
Interface 1		
Interface type		2 x RJ-45
Protocol		EtherNet/IP + MODBUS TCP/IP acc. to IEEE 802.3 supports device level ring protocol DLR
Transfer rate		10 MBit/s / 100 MBit/s , Automatic baud rate detection
Interface 2		
Interface type		RS 232, serial Diagnostic Interface
Transfer rate		19,2 kBit/s
Interface 3		
Interface type		Chip card slot
Connection		
Ethernet		RJ-45
AS-Interface		spring terminals, removable
Directive conformity		
Electromagnetic compatibility		
Directive 2014/30/EU		EN 62026-2:2013 EN 61000-6-2:2005, EN 61000-6-4:2007
Standard conformity		
Electromagnetic compatibility		EN 61000-6-2:2005, EN 61000-6-4:2007
Degree of protection		EN 60529:2000
AS-Interface		EN 62026-2:2013
Shock resistance		EN 61131-2:2004
Standards		EN 61000-6-2:2005, EN 61000-6-4:2007 EN 954-1:1996 (up to Kategorie 4), IEC 61508:2001 and EN 62061:2005 (up to SIL3) EN 13849:2008 (PL e)
Approvals and certificates		
UL approval		An isolated source with a secondary open circuit voltage of ≤ 30 V _{DC} with a 3 A maximum over current protection. Over current protection is not required when a Class 2 source is employed. UL mark does not provide UL certification for any functional safety rating or aspects of the device.
Ambient conditions		

Release date: 2022-12-15 Date of issue: 2022-12-15 Filename: 217255_eng.pdf

Technical Data

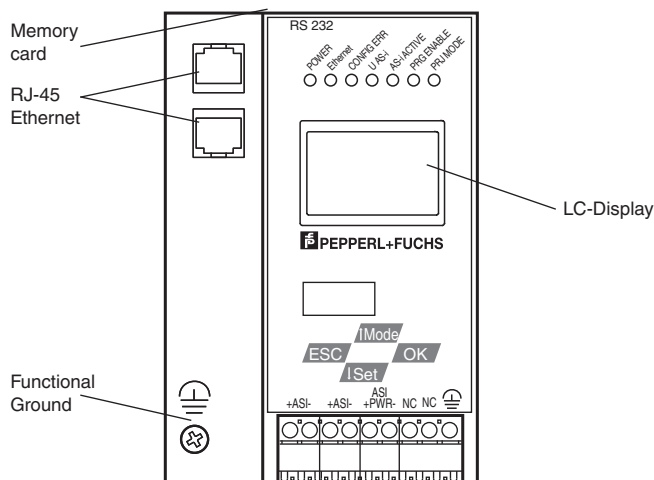
Ambient temperature	0 ... 55 °C (32 ... 131 °F)
Storage temperature	-25 ... 85 °C (-13 ... 185 °F)
Mechanical specifications	
Degree of protection	IP20
Mass	500 g
Construction type	Low profile housing , Stainless steel

Connection



At the cable for power supply no slaves or repeaters may be attached.
 At the cable for AS-Interface circuit no power supplies or further masters may be attached.

Assembly



Accessories

	VAZ-SW-ACT32	Full version of the AS-I Control Tools including connection cable
--	---------------------	-------------------------------------------------------------------

Release date: 2022-12-15 Date of issue: 2022-12-15 Filename: 217255_eng.pdf

Refer to "General Notes Relating to Pepperl+Fuchs Product Information".

Accessories



USB-0,8M-PVC ABG-SUBD9

Interface converter USB/RS 232

Release date: 2022-12-15 Date of issue: 2022-12-15 Filename: 217255_eng.pdf

Refer to "General Notes Relating to Pepperl+Fuchs Product Information".

Pepperl+Fuchs Group
www.pepperl-fuchs.com

USA: +1 330 486 0001
fa-info@us.pepperl-fuchs.com

Germany: +49 621 776 1111
fa-info@de.pepperl-fuchs.com

Singapore: +65 6779 9091
fa-info@sg.pepperl-fuchs.com