

## Female connector, field-attachable

### V15-G-ABG-PG9

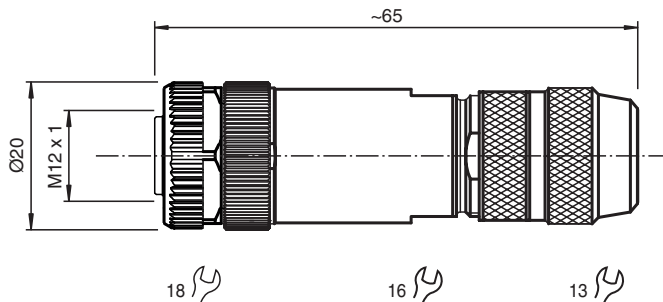


- Field-attachable, shieldable
- Metal housing
- Iris spring shielding
- cURus approval

Female connector M12 straight A-coded 5-pin, for cable diameter 5 - 8 mm, shielded, field-attachable



### Dimensions



### Technical Data

General specifications			
Connector 1			
Connection		socket	
Construction type		M12	
Style		straight	
Locking		screw connection	
Number of pins		5	
Coding		A-coded	
UL File Number		E363587	
Electrical specifications			
Operating voltage	$U_B$	max. 48 V AC / 60 V DC	
Operating current	$I_B$	max. 4 A	
Insulation resistance		min. 100 M $\Omega$	
Conformity			
Degree of protection		EN 60529	
Plug connection		connector M12 x 1 : IEC 61076-2-101	
Ambient conditions			

Release date: 2023-02-20 Date of issue: 2023-02-20 Filename: 219137\_eng.pdf

Refer to "General Notes Relating to Pepperl+Fuchs Product Information".

Pepperl+Fuchs Group  
www.pepperl-fuchs.com

USA: +1 330 486 0001  
fa-info@us.pepperl-fuchs.com

Germany: +49 621 776 1111  
fa-info@de.pepperl-fuchs.com

Singapore: +65 6779 9091  
fa-info@sg.pepperl-fuchs.com

PEPPERL+FUCHS

## Technical Data

Ambient temperature	-40 ... 85 °C (-40 ... 185 °F)	
Pollution degree		3
<b>Mechanical specifications</b>		
Plug connector		
Tightening torque	0.6 Nm	
Tool installation	straight knurling , hexagon nut SW = 18 mm	
Mating cycles	min. 100	
Shielding	iris spring shielding	
Degree of protection	IP67	
Connection	screw terminals for max. 0.75 mm <sup>2</sup> / AWG 18	
Cable		
Sheath diameter	5 ... 8 mm	
Mass	49.71 g	
<b>Material</b>		
Plug connector		
Screw connection	Zinc diecast, nickel-plated	
Body	Zinc diecast, nickel-plated	
Seal	NBR , FKM	
Contact surface	Au	

## Connection Assignment

