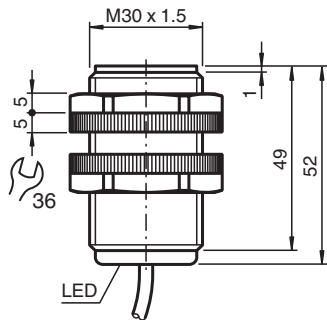


Inductive sensor NJ15-30GK50-A2

- 15 mm non-flush



Dimensions



Technical Data

General specifications		
Switching function		complementary
Output type		PNP
Rated operating distance	s_n	15 mm
Installation		non-flush
Output polarity		DC
Assured operating distance	s_a	0 ... 12.15 mm
Actual operating distance	s_r	13.5 ... 16.5 mm typ. 15 mm
Reduction factor r_{Al}		0.4
Reduction factor r_{Cu}		0.38
Reduction factor r_{304}		0.71
Reduction factor r_{Brass}		0.45
Output type		4-wire
Nominal ratings		
Operating voltage	U_B	10 ... 60 V
Switching frequency	f	0 ... 300 Hz
Hysteresis	H	typ. 5 %

Release date: 2023-12-08 Date of issue: 2023-12-08 Filename: 222513_eng.pdf

Refer to "General Notes Relating to Pepperl+Fuchs Product Information".

Pepperl+Fuchs Group
www.pepperl-fuchs.com

USA: +1 330 486 0001
fa-info@us.pepperl-fuchs.com

Germany: +49 621 776 1111
fa-info@de.pepperl-fuchs.com

Singapore: +65 6779 9091
fa-info@sg.pepperl-fuchs.com

PEPPERL+FUCHS

Technical Data

Reverse polarity protection		reverse polarity protected
Short-circuit protection		pulsing
Voltage drop	U_d	≤ 2.8 V
Voltage drop at I_L		
Voltage drop $I_L = 10$ mA, switching element on	U_d	0.9 ... 2.4 V typ. 1.7 V
Voltage drop $I_L = 20$ mA, switching element on	U_d	0.9 ... 2.4 V typ. 1.7 V
Voltage drop $I_L = 50$ mA, switching element on	U_d	0.9 ... 2.5 V typ. 1.7 V
Voltage drop $I_L = 100$ mA, switching element on	U_d	1 ... 2.6 V typ. 1.8 V
Voltage drop $I_L = 200$ mA, switching element on	U_d	1.2 ... 2.8 V typ. 2 V
Operating current	I_L	0 ... 400 mA
Off-state current	I_r	0 ... 0.5 mA typ. 0.01 mA
No-load supply current	I_0	≤ 9 mA
Switching state indicator		LED, yellow
Functional safety related parameters		
MTTF _d		1120 a
Mission Time (T_M)		20 a
Diagnostic Coverage (DC)		0 %
Compliance with standards and directives		
Standard conformity		
Standards		EN 60947-5-2:2007 IEC 60947-5-2:2007
Approvals and certificates		
UL approval		cULus Listed, General Purpose
CCC approval		Certified by China Compulsory Certification (CCC)
Ambient conditions		
Ambient temperature		-25 ... 70 °C (-13 ... 158 °F)
Storage temperature		-25 ... 85 °C (-13 ... 185 °F)
Mechanical specifications		
Connection type		cable PVC , 2 m
Core cross section		0.75 mm ²
Housing material		PBT
Sensing face		PBT
Degree of protection		IP68

Connection

