

Thru-beam sensor

GD18/GV18/25/103/115



- Efficient Line in a short M18 plastic housing for standard applications
- Very high detection range
- 4 LEDs indicator for 360° visibility
- Version with front optical face
- DC voltage version

Thru-beam sensor, M18 threaded housing design, plastic housing, front optical face, 20 m detection range, red light, light on, DC version, PNP output, fixed cable



Function

The GLV/GLK18 series sensors help improve the efficiency of machines and systems. The design of the M18 plastic housing, the connection technology, and sensor properties are highly standardized. Concentrating on the key sensor requirements has produced a robust and reliable product series for DC and AC/DC voltage systems without any over-engineering. The mounting set included in the scope of delivery and the optimized potentiometer design ensure fast assembly and easy configuration.

Application

Packaging industry:

- Presence checks, track loading, completeness checks, stack height control

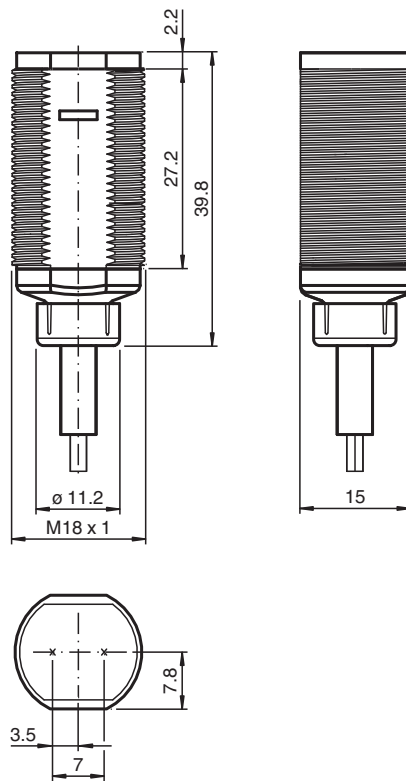
Material handling:

- Presence checks, target sensor, profile checks, trigger sensor

Automatic doors, gates and access systems, elevator:

- Secure detection for automatic door and gate systems
- Monitoring function in turnstiles
- Closing edge monitoring in elevators

Dimensions



Technical Data

| | | |
|---|---|----------------|
| System components | | |
| Emitter | GD18/115 | |
| Receiver | GV18/25/103/115 | |
| General specifications | | |
| Effective detection range | 0 ... 20 m | |
| Threshold detection range | 25 m | |
| Light source | LED | |
| Light type | modulated visible red light , 640 nm | |
| Diameter of the light spot | approx. 1300 mm at 25 m | |
| Opening angle | approx. 3 ° | |
| Optical face | frontal | |
| Ambient light limit | 30000 Lux | |
| Functional safety related parameters | | |
| MTTF _d | 630 a | |
| Mission Time (T _M) | 20 a | |
| Diagnostic Coverage (DC) | 0 % | |
| Indicators/operating means | | |
| Operation indicator | LED green, statically lit Power on | |
| Function indicator | Receiver: LED yellow, lights up when light beam is free, flashes when falling short of the operating reserve ; OFF when light beam is interrupted | |
| Electrical specifications | | |
| Operating voltage | U _B | 10 ... 30 V DC |

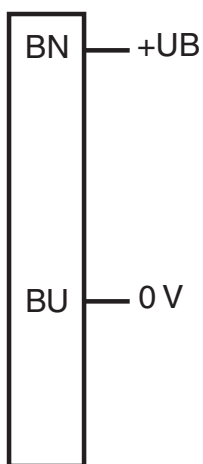
Release date: 2023-04-04 Date of issue: 2023-04-04 Filename: 237008_eng.pdf

Technical Data

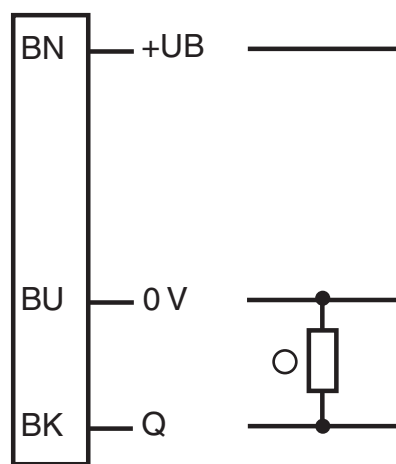
| | | |
|---|-------|--|
| No-load supply current | I_0 | < 20 mA |
| Output | | |
| Switching type | | light-on |
| Signal output | | 1 PNP, short-circuit protected, open collector |
| Switching voltage | | max. 30 V DC |
| Switching current | | max. 100 mA |
| Voltage drop | U_d | ≤ 1.5 V DC |
| Switching frequency | f | 500 Hz |
| Response time | | ≤ 1 ms |
| Conformity | | |
| Product standard | | EN 60947-5-2 |
| Compliance with standards and directives | | |
| Standard conformity | | |
| Standards | | UL 508 |
| Approvals and certificates | | |
| Protection class | | II, Rated insulation voltage ≤ 50 V AC with pollution degree 1-2 according to IEC 60664-1 |
| UL approval | | cULus Listed, Class 2 Power Source, Type 1 enclosure |
| CCC approval | | CCC approval / marking not required for products rated ≤ 36 V |
| Ambient conditions | | |
| Ambient temperature | | -25 ... 60 °C (-13 ... 140 °F) |
| Storage temperature | | -40 ... 70 °C (-40 ... 158 °F) |
| Mechanical specifications | | |
| Degree of protection | | IP67 |
| Connection | | 2 m fixed cable |
| Material | | |
| Housing | | PC |
| Optical face | | PMMA |
| Mass | | approx. 75 g per device |

Connection Assignment

Emitter



Receiver

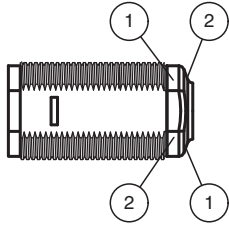


103

- = Light on
- = Dark on

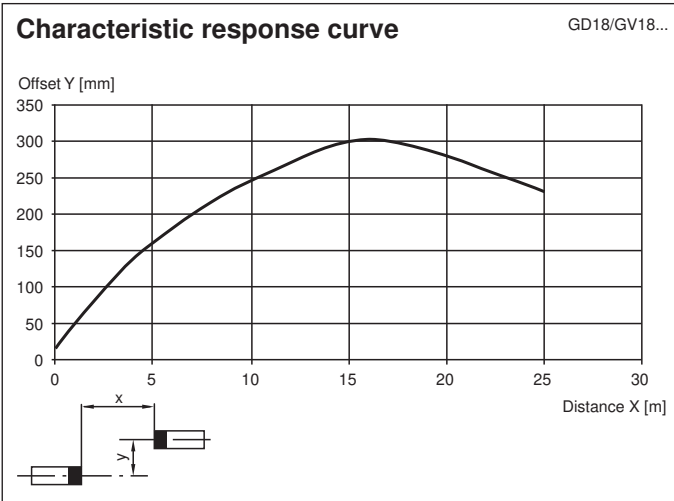
Release date: 2023-04-04 Date of issue: 2023-04-04 Filename: 237008_eng.pdf

Assembly

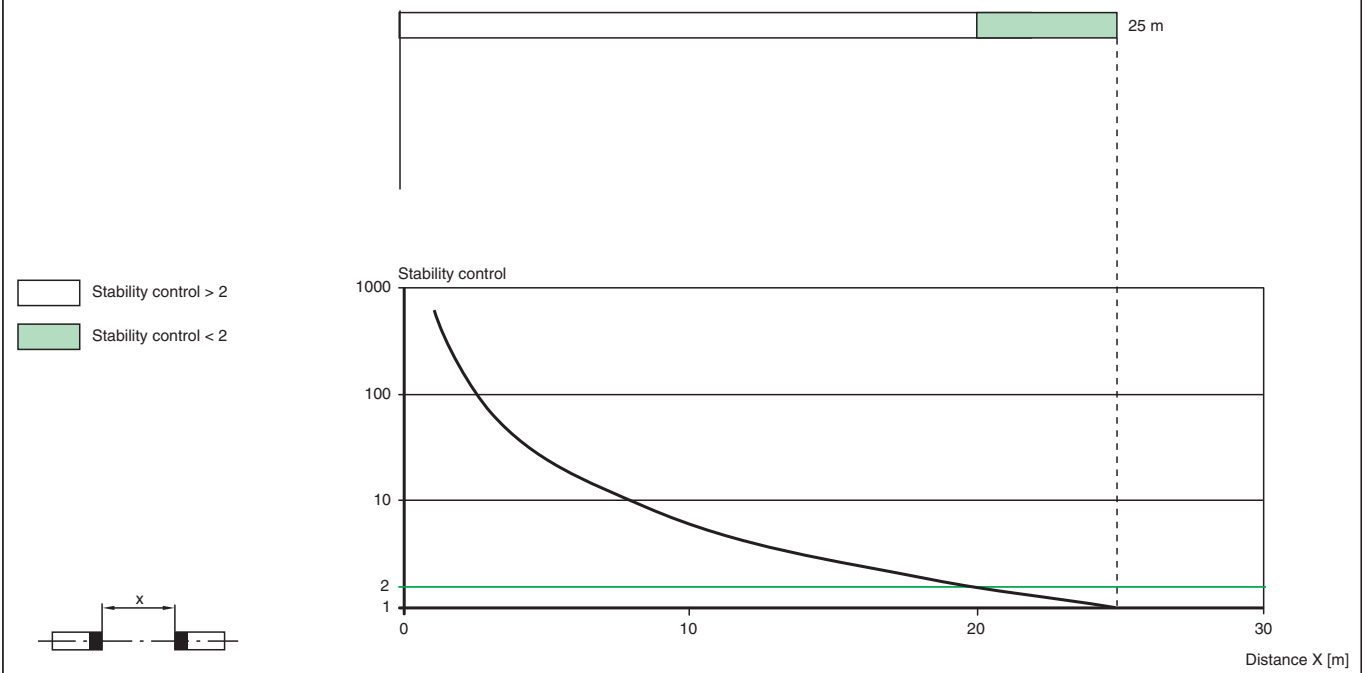


| | | |
|---|-------------------|--------|
| 1 | Operating display | green |
| 2 | Signal display | yellow |
| 4 | Emitter | |
| 5 | Receiver | |



Characteristic Curve



Relative received light strength



Accessories

| | | |
|---|-----------------|----------------------------------|
|  | CPZ18B03 | Mounting Bracket with swivel nut |
|  | BF 18 | Mounting flange, 18 mm |

Release date: 2023-04-04 Date of issue: 2023-04-04 Filename: 237008_eng.pdf

Refer to "General Notes Relating to Pepperl+Fuchs Product Information".

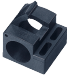

Pepperl+Fuchs Group
www.pepperl-fuchs.com

USA: +1 330 486 0001
fa-info@us.pepperl-fuchs.com

Germany: +49 621 776 1111
fa-info@de.pepperl-fuchs.com

Singapore: +65 6779 9091
fa-info@sg.pepperl-fuchs.com

Accessories

| | | |
|---|-----------------------|--|
|  | <p>BF 18-F</p> | <p>Plastic mounting adapter, 18 mm</p> |
|  | <p>BF 5-30</p> | <p>Universal mounting bracket for cylindrical sensors with a diameter of 5 ... 30 mm</p> |

Release date: 2023-04-04 Date of issue: 2023-04-04 Filename: 237008_eng.pdf

Refer to "General Notes Relating to Pepperl+Fuchs Product Information".

Pepperl+Fuchs Group
www.pepperl-fuchs.com

USA: +1 330 486 0001
fa-info@us.pepperl-fuchs.com

Germany: +49 621 776 1111
fa-info@de.pepperl-fuchs.com

Singapore: +65 6779 9091
fa-info@sg.pepperl-fuchs.com