



Model Number

ML300-8-100-RT/79a/115/122

Diffuse mode sensor
with 2 m fixed cable

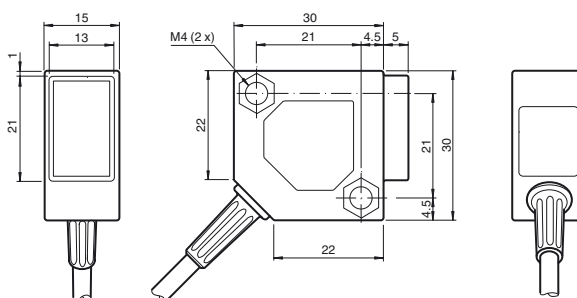
Features

- Distance measurement using object
- Miniature design
- Easy to use
- Visible red light
- Analog output 0 V ... 10 V/4 mA ... 20 mA
- 45° cable connector

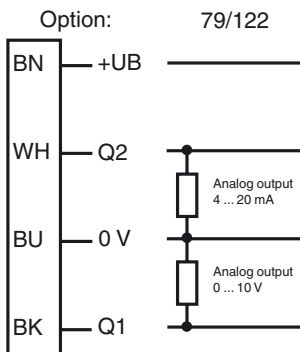
Product information

The ML300 series has a robust miniature housing and all the standard functional principles. Of particular note are the sensors with analog output, which return a value proportional to the distance. The 45° plug/cable connection ensures flexible mounting. An LED indicates a weak signal, e.g. due to dirt.

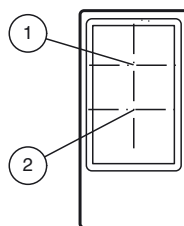
Dimensions



Electrical connection



Indicators/operating means



1	Receiver
2	Emitter

Release date: 2019-11-26 15:42 Date of issue: 2019-11-26 238212_eng.xml

Refer to "General Notes Relating to Pepperl+Fuchs Product Information".

Technical data**General specifications**

Detection range	10 ... 100 mm
Reference target	standard white, 100 mm x 100 mm
Light source	LED
Light type	modulated visible red light , 660 nm
Diameter of the light spot	approx. 6 mm at a distance of 100 mm
Angle of divergence	approx. 3.5 °
Ambient light limit	
Continuous light	10000 Lux
Modulated light	5000 Lux
Accessories provided	Mounting bracket OMH-ML300-01

Electrical specifications

Operating voltage	U_B	15 ... 30 V DC
Ripple		max. 20 %
No-load supply current	I_0	max. 25 mA

Output

Measurement output	Analog output: 0 ... 10 V , 10 mA Analog output: 4 ... 20 mA , max. load: 0.5 kOhm (+ $U_B=15$ V), 1.2 kOhm (+ $U_B=30$ V)
--------------------	--

Conformity

Product standard	EN 60947-5-2
------------------	--------------

Ambient conditions

Ambient temperature	-25 ... 55 °C (-13 ... 131 °F)
---------------------	--------------------------------

Mechanical specifications

Housing width	30 mm
Housing height	30 mm
Housing depth	15 mm
Degree of protection	IP67
Connection	2 m fixed cable
Material	
Housing	PBT
Optical face	glass pane
Cable	PVC
Mass	75 g
Mounting	Mounting accessories included

Compliance with standards and directives

Standard conformity	
Shock and impact resistance	EN 60947-5-7 30 g, 11 ms, all axes
Vibration resistance	EN 60947-5-7, 10-55 Hz/1.5 mm amplitude, all axes

Approvals and certificates

CCC approval	CCC approval / marking not required for products rated ≤ 36 V
--------------	--

Accessories**OMH-ML300-01**

Bracket for mounting ML300 series sensors

OMH-ML300-02

Bracket for mounting ML300 series sensors on a 35 mm DIN rail

Other suitable accessories can be found at www.pepperl-fuchs.com

Difference in detection distance