

Activator

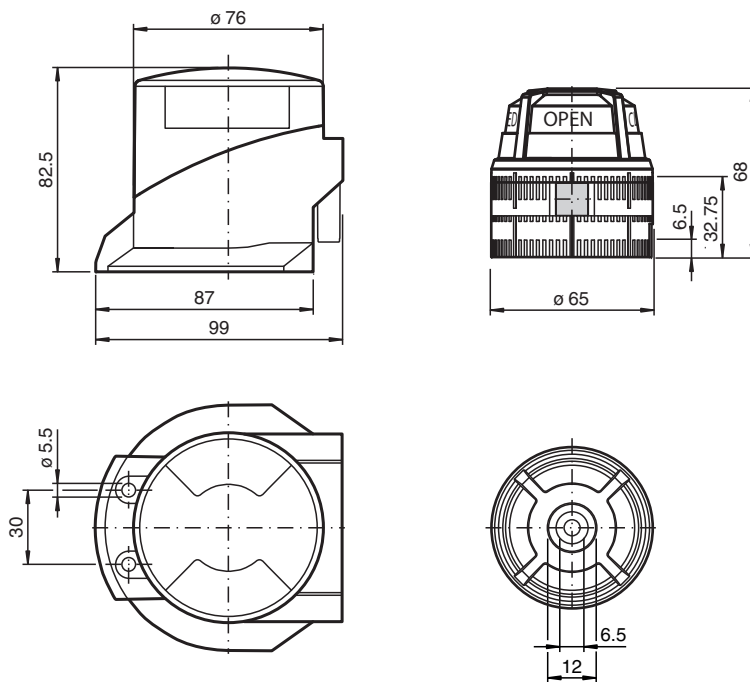
BT65-F31K2-RG-EN



- High-visibility valve position display
- Protection against contamination and damage
- Two actuation targets in two levels with 5° setting grid
- Suitable for right and left rotating drives

Activator for F31K2 series

Dimensions



Technical Data

General specifications

Ring diameter	max. 65 mm
Spring ring height	max. 6 mm

Nominal ratings

Valve status indicator	red = CLOSED green = OPEN
------------------------	------------------------------

Compliance with standards and directives

Standard conformity	
Standards	VDI / VDE 3845

Release date: 2020-06-30 Date of issue: 2020-06-30 Filename: 240225_eng.pdf

Refer to "General Notes Relating to Pepperl+Fuchs Product Information".

Pepperl+Fuchs Group
www.pepperl-fuchs.com

USA: +1 330 486 0001
fa-info@us.pepperl-fuchs.com

Germany: +49 621 776 1111
fa-info@de.pepperl-fuchs.com

Singapore: +65 6779 9091
fa-info@sg.pepperl-fuchs.com

PEPPERL+FUCHS

Technical Data

Ambient conditions

Ambient temperature -40 ... 75 °C (-40 ... 167 °F)

Mechanical specifications

Shaft diameter ≤ 49 mm

Shaft height 20 mm and 30 mm

Mounting hole pattern 30 x 80 mm

Material

Housing PC

Actuator PA

Spacer disk PA (1 unit, 10 mm strong)

Mounting screw Stainless steel 1.4401 / AISI 316

Activation target Stainless steel 1.4305 / AISI 303 (integrated)

General information

Scope of delivery
 1 screw M6 x 30
 1 screw M6 x 40
 1 Activator for F31K2 series
 1 Distance disc
 1 Protective cover
 Fixing screws

Function

The activator consists of a conductive plastic material which prevents static charging and allows installation in potentially explosive environments.