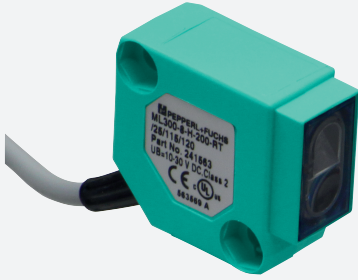


Background suppression sensor

ML300-8-H-200-RT/25/115/127



- Miniature design
- Easy to use
- Visible red light
- 45° cable connector

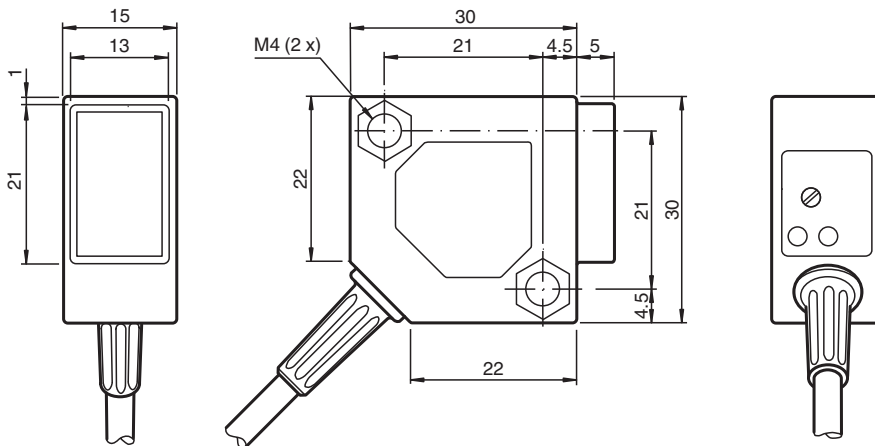
Triangulation sensor with background suppression



Function

The ML300 series has a robust miniature housing and all the standard functional principles. Of particular note are the sensors with analog output, which return a value proportional to the distance. The 45° plug/cable connection ensures flexible mounting. An LED indicates a weak signal, e.g. due to dirt.

Dimensions



Release date: 2023-02-27 Date of issue: 2023-02-27 Filename: 2411565_eng.pdf

Refer to "General Notes Relating to Pepperl+Fuchs Product Information".

Pepperl+Fuchs Group
www.pepperl-fuchs.com

USA: +1 330 486 0001
fa-info@us.pepperl-fuchs.com

Germany: +49 621 776 1111
fa-info@de.pepperl-fuchs.com

Singapore: +65 6779 9091
fa-info@sg.pepperl-fuchs.com

PEPPERL+FUCHS

Technical Data

General specifications		
Detection range		0 ... 200 mm , adjustable
Detection range min.		5 ... 25 mm
Detection range max.		0 ... 200 mm
Adjustment range		25 ... 200 mm
Reference target		standard white, 100 mm x 100 mm
Light source		LED
Light type		modulated visible red light , 660 nm
Black-white difference (6 %/90 %)		15 % at 200 mm
Diameter of the light spot		approx. 12 mm at a distance of 200 mm
Opening angle		approx. 3.5 °
Ambient light limit		
Continuous light		10000 Lux
Modulated light		5000 Lux
Accessories provided		Mounting bracket OMH-ML300-01
Indicators/operating means		
Function indicator		LED yellow: lights up when output is active LED green: lights when object is detected
Control elements		Sensing range adjuster
Electrical specifications		
Operating voltage	U_B	10 ... 30 V DC
Ripple		max. 20 %
No-load supply current	I_0	max. 25 mA
Output		
Switching type		light on / dark on
Signal output		2 NPN outputs, complementary, short-circuit proof, reverse-polarity protection, open collector
Switching voltage		max. 30 V DC
Switching current		max. 0.1 A
Voltage drop	U_d	≤ 2 V DC
Switching frequency	f	500 Hz
Response time		1 ms
Compliance with standards and directives		
Directive conformity		
EMC Directive 2004/108/EC		EN 60947-5-2:2007
Standard conformity		
Product standard		EN 60947-5-2:2007 IEC 60947-5-2:2007
Shock and impact resistance		EN 60947-5-7 30 g, 11 ms, all axes
Vibration resistance		EN 60947-5-7, 10-55 Hz/1.5 mm amplitude, all axes
Approvals and certificates		
CCC approval		CCC approval / marking not required for products rated ≤ 36 V
Ambient conditions		
Ambient temperature		-25 ... 55 °C (-13 ... 131 °F)
Mechanical specifications		
Housing width		30 mm
Housing height		30 mm
Housing depth		15 mm
Degree of protection		IP67
Connection		2 m fixed cable
Material		
Housing		PBT
Optical face		glass pane

Release date: 2023-02-27 Date of issue: 2023-02-27 Filename: 241565_eng.pdf

Refer to "General Notes Relating to Pepperl+Fuchs Product Information".

Pepperl+Fuchs Group
www.pepperl-fuchs.comUSA: +1 330 486 0001
fa-info@us.pepperl-fuchs.comGermany: +49 621 776 1111
fa-info@de.pepperl-fuchs.comSingapore: +65 6779 9091
fa-info@sg.pepperl-fuchs.com

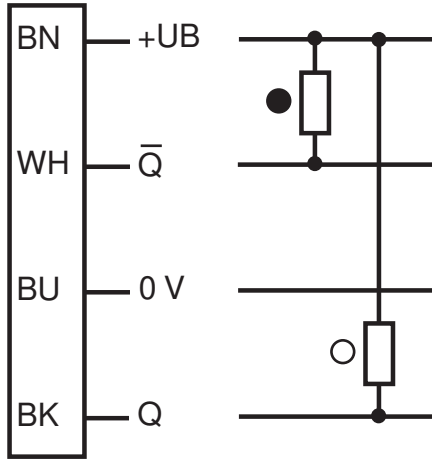
PEPPERL+FUCHS

Technical Data

Cable	PVC
Mass	75 g

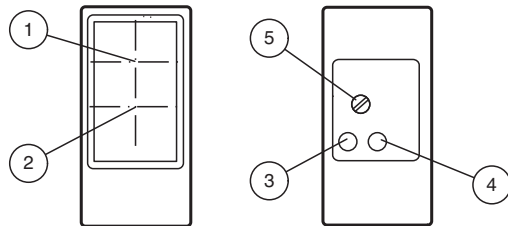
Connection Assignment

Option: 127



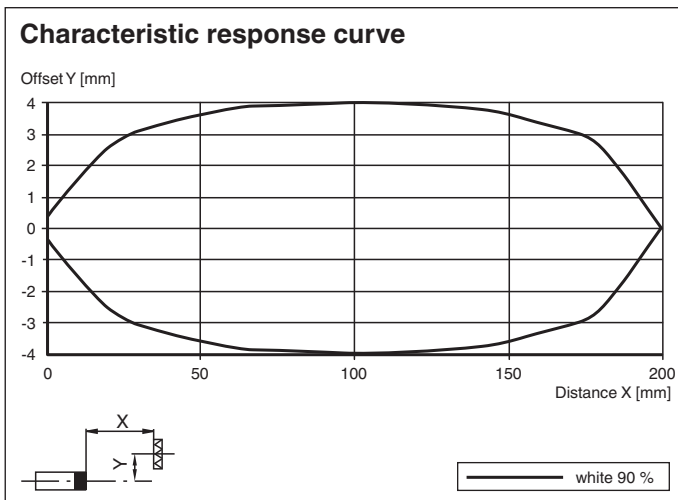
○ = Light on
● = Dark on

Assembly



1	Receiver	
2	Emitter	
3	Switching state	yellow
4	Stability control	green
5	Sensing range adjuster	

Characteristic Curve



Release date: 2023-02-27 Date of issue: 2023-02-27 Filename: 241565_eng.pdf

Refer to "General Notes Relating to Pepperl+Fuchs Product Information".

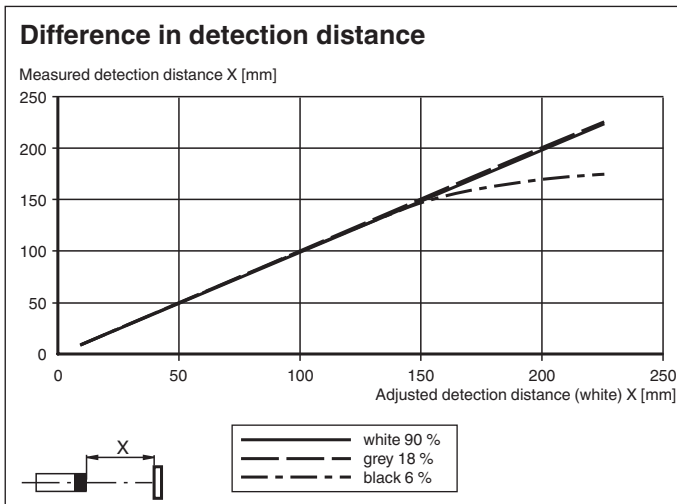
Pepperl+Fuchs Group
www.pepperl-fuchs.com

USA: +1 330 486 0001
fa-info@us.pepperl-fuchs.com

Germany: +49 621 776 1111
fa-info@de.pepperl-fuchs.com

Singapore: +65 6779 9091
fa-info@sg.pepperl-fuchs.com

Characteristic Curve



Accessories

	OMH-ML300-01	Bracket for mounting ML300 series sensors
---	---------------------	---