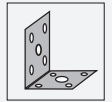




Mounting aid

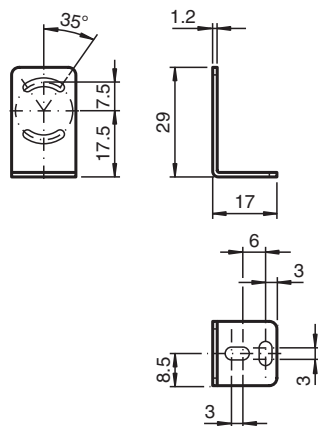
MH-R2-02

- Mounting bracket
- For top mounting
- Simple and fast mounting



Mounting aid for R2 series, Mounting bracket

Dimensions



Technical Data

Mechanical specifications

Material	Stainless steel
Mass	approx. 15 g
Mounting	Fixing screws , 2 x M2 allen head screws included with delivery

General information

Scope of delivery	Mounting bracket , Fixing screws , SW1.5 Allen wrench
-------------------	---

Suitable series

Series	OB*-R2
--------	--------

Release date: 2020-03-24 Date of issue: 2020-06-30 Filename: 247116_eng.pdf

Refer to "General Notes Relating to Pepperl+Fuchs Product Information".

Pepperl+Fuchs Group
www.pepperl-fuchs.com

USA: +1 330 486 0001
fa-info@us.pepperl-fuchs.com

Germany: +49 621 776 1111
fa-info@de.pepperl-fuchs.com

Singapore: +65 6779 9091
fa-info@sg.pepperl-fuchs.com

PF PEPPERL+FUCHS