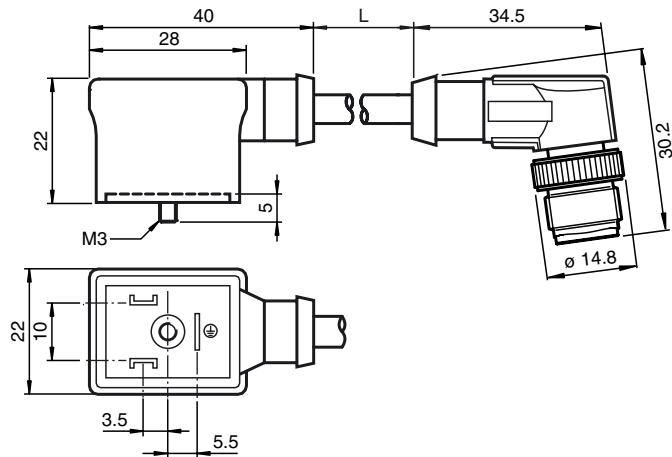




**Dimensions**



**Model Number**

VMB-2+P/Z2-0,3M-PVC-V1-W-Y

Valve connector, Form B on M12, 2+PE, LED, Z diode, PVC cable

**Features**

- Valve connector according EN 175301-803 A/ISO 4400 (previously DIN 43650)
- Suitable for F31K and F31K2 double sensors
- Z diode as a protective circuit
- Built-in LED, as operating and function indicator
- Moulded seal
- Flame resistant cable

**Technical data**

**General specifications**

Number of pins 2 + PE

**Indicators/operating means**

LED yellow Functional display

**Electrical specifications**

Operating voltage  $U_B$  24 V AC/DC  
 Operating current  $I_B$  max. 4 A  
 Volume resistance < 5 mΩ  
 Suppression Zener diode

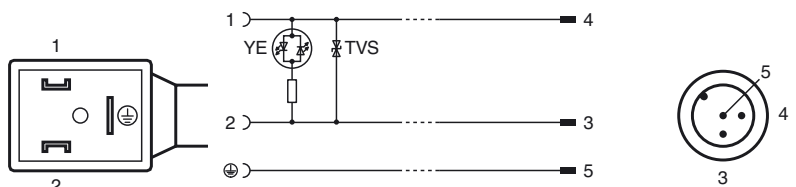
**Ambient conditions**

Ambient temperature Body: -20 ... 85 °C (-4 ... 185 °F)  
 cable, flexing: -5 ... 80 °C (23 ... 176 °F)  
 cable, fixed: -40 ... 80 °C (-40 ... 176 °F)  
 Pollution degree 3

**Mechanical specifications**

Degree of protection IP65/IP67  
 Connection Valve connector Form B  
 Material  
 Contacts CuSn  
 Contact surface Sn  
 Body TPU, black  
 Cable PVC  
 Core insulation PVC  
 Cable  
 Sheath diameter Ø 4.8 mm  
 Bending radius > 5 x cable diameter, moving  
 > 10 x cable diameter, fixed  
 Color black  
 Cores 3 x 0.5 mm<sup>2</sup>, 20 AWG  
 Conductor construction 28 x 0.15 mm Ø  
 Length L 0.3 m

**Electrical connection**



Release date: 2017-03-17 12:41 Date of issue: 2017-03-17 247587\_eng.xml