



Accessories Safety

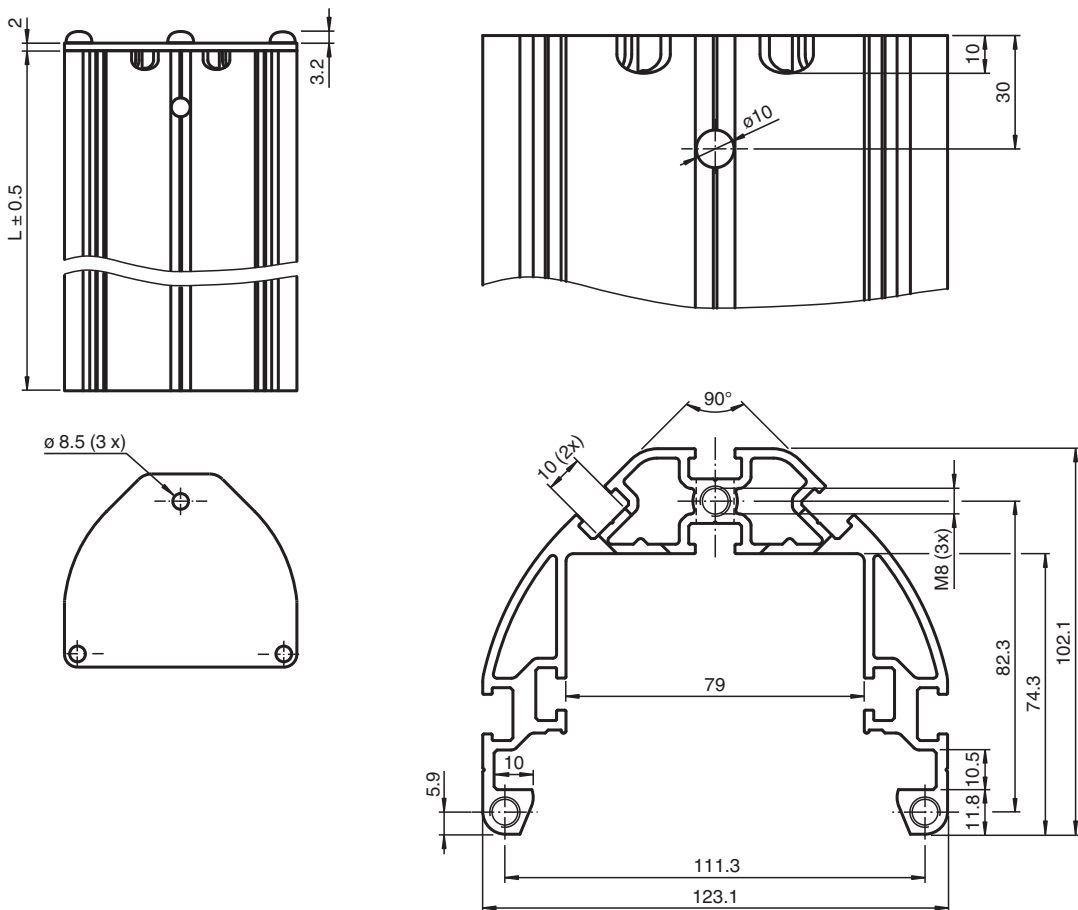
OMH-SLCT-100-2500



- Eight grooves for mounting photoelectric sensors or accessories, three on the inside and five on the outside
- Corner mounting of photoelectric sensors with a directional difference of 90°
- Cover prepared for indicator light mounting

Mounting base for floor mounting and cover plate

Dimensions



Technical Data

General specifications

Setting angle	± 5 ° with product OMH-SLCT-200
Tilting angle	± 2.5 ° with product OMH-SLCT-200

Release date: 2020-11-09 Date of issue: 2020-11-09 Filename: 251612_eng.pdf

Refer to "General Notes Relating to Pepperl+Fuchs Product Information".

Pepperl+Fuchs Group
www.pepperl-fuchs.com

USA: +1 330 486 0001
fa-info@us.pepperl-fuchs.com

Germany: +49 621 776 1111
fa-info@de.pepperl-fuchs.com

Singapore: +65 6779 9091
fa-info@sg.pepperl-fuchs.com

PF PEPPERL+FUCHS

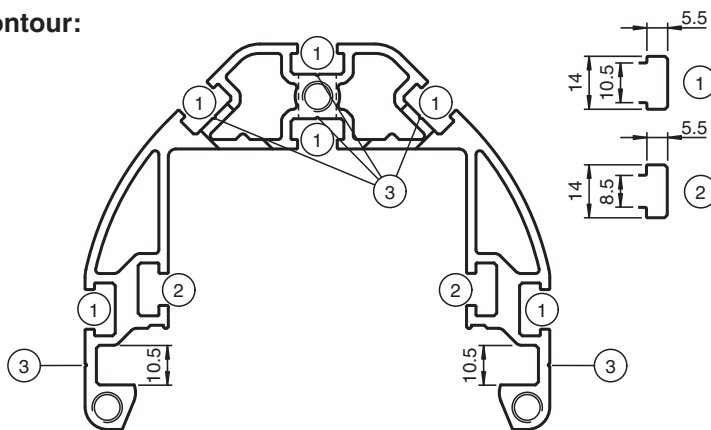
Technical Data

Ambient conditions	
Ambient temperature	-40 ... 80 °C (-40 ... 176 °F)
Storage temperature	-40 ... 80 °C (-40 ... 176 °F)
Relative humidity	80 % , noncondensing
Mechanical specifications	
Housing length L	2480 mm
Material	
Housing	anodized aluminum
Mass	approx. 11.8 kg
General information	
Scope of delivery	Mounting base, cover plate The three fillister head screws for the cover plate are supplied with the floor mount
Suitable series	
Safety Series	SLCT / SLCS

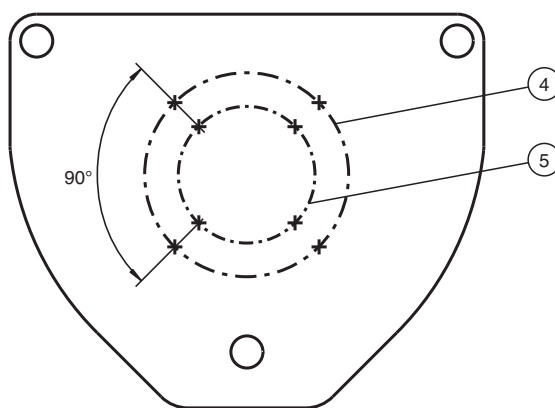
Installation

Mounting options

Contour:



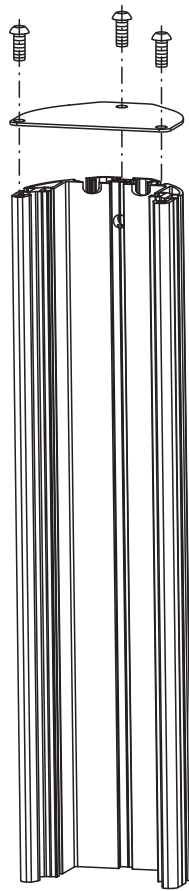
Cover:








1	10 mm t-nut	2	8 mm t-nut	3	Marker point for drilling
4	Marking ø36	5	Marking ø54		

Release date: 2020-11-09 Date of issue: 2020-11-09 Filename: 251612_eng.pdf

Mounting



Accessories

	OMH-SLCT-200	Floor mount
	OMH-SLCT-120-2500	Side protection for mounting base
	OMH-SLCT-10	Clamp mounting suitable for 6 mm ... 11.5 mm groove
	OMH-SLCT-11	Reverse clamp mounting suitable for 8.5 mm ... 10.5 mm groove
	OMH-SLCT-12-500	Mounting bracket, muting arm with round rod d=12 mm

Release date: 2020-11-09 Date of issue: 2020-11-09 Filename: 251612_eng.pdf

Refer to "General Notes Relating to Pepperl+Fuchs Product Information".

Accessories

Other suitable accessories can be found at www.pepperl-fuchs.com

Release date: 2020-11-09 Date of issue: 2020-11-09 Filename: 251612_eng.pdf

Refer to "General Notes Relating to Pepperl+Fuchs Product Information".

Pepperl+Fuchs Group
www.pepperl-fuchs.com

USA: +1 330 486 0001
fa-info@us.pepperl-fuchs.com

Germany: +49 621 776 1111
fa-info@de.pepperl-fuchs.com

Singapore: +65 6779 9091
fa-info@sg.pepperl-fuchs.com

 **PEPPERL+FUCHS**