



Accessories Safety

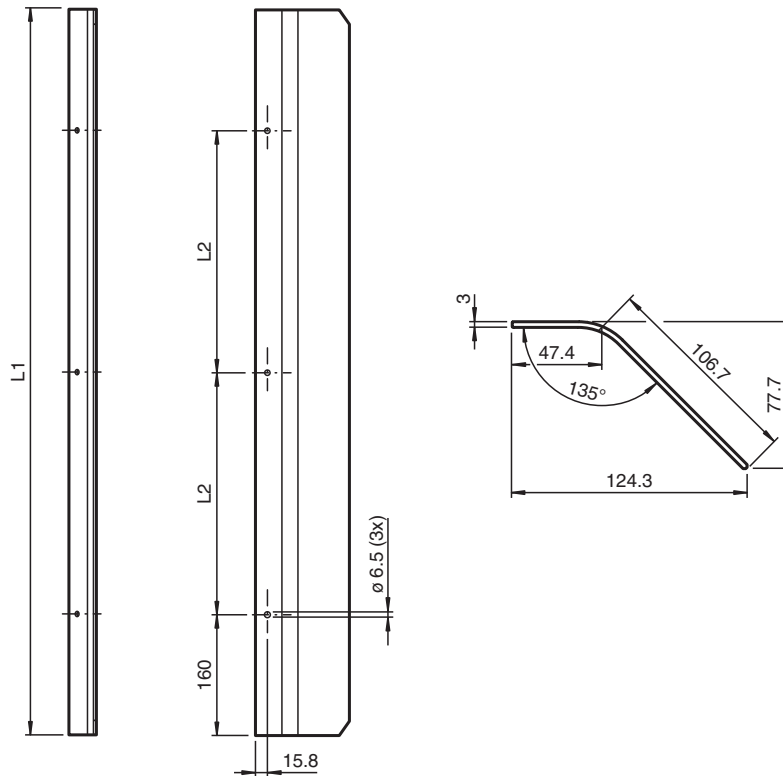
OMH-SLCT-120-2100



- Side protection for the OMH-SLCT-100 and OMH-SLCT-110 mounting bases

Side protection for mounting base

Dimensions



Technical Data

Ambient conditions

Ambient temperature	-40 ... 80 °C (-40 ... 176 °F)
Storage temperature	-40 ... 80 °C (-40 ... 176 °F)

Release date: 2020-11-09 Date of issue: 2020-11-09 Filename: 251620_eng.pdf

Refer to "General Notes Relating to Pepperl+Fuchs Product Information".

Pepperl+Fuchs Group
www.pepperl-fuchs.com

USA: +1 330 486 0001
fa-info@us.pepperl-fuchs.com

Germany: +49 621 776 1111
fa-info@de.pepperl-fuchs.com

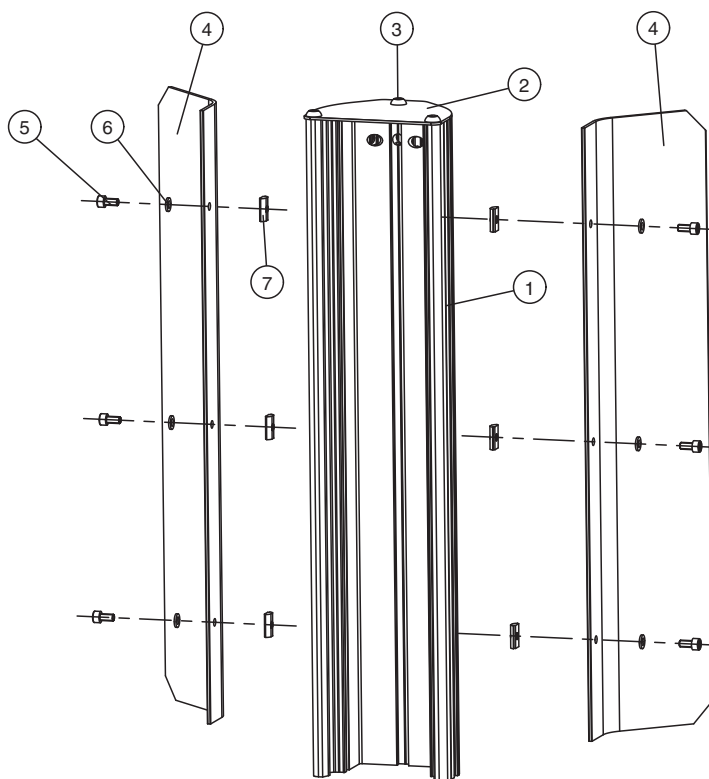
Singapore: +65 6779 9091
fa-info@sg.pepperl-fuchs.com

PF PEPPERL+FUCHS

Technical Data



Relative humidity	80 % , noncondensing
Mechanical specifications	
Housing length L	2040 mm
Material	
Housing	anodized aluminum
Mounting screw	Steel
Mass	approx. 4.9 kg
Mounting	Mounting accessories included
General information	
Scope of delivery	2x lateral protection, mounting materials
Suitable series	
Safety Series	SLCT / SLCS

Mounting



1 Mounting base	4 Lateral protection	7 Spring T-nut M6
2 Cover plate	5 Socket cap screw M6 x 12	
3 Rounded head screw M8 x 20	6 Washer	

Accessories

	OMH-SLCT-100-2100	Mounting base for floor mounting and cover plate
	OMH-SLCT-110-2100	Mounting base for floor mounting with rear panel and cover plate

Release date: 2020-11-09 Date of issue: 2020-11-09 Filename: 251620_eng.pdf

Accessories

Other suitable accessories can be found at www.pepperl-fuchs.com

Release date: 2020-11-09 Date of issue: 2020-11-09 Filename: 251620_eng.pdf

Refer to "General Notes Relating to Pepperl+Fuchs Product Information".

Pepperl+Fuchs Group
www.pepperl-fuchs.com

USA: +1 330 486 0001
fa-info@us.pepperl-fuchs.com

Germany: +49 621 776 1111
fa-info@de.pepperl-fuchs.com

Singapore: +65 6779 9091
fa-info@sg.pepperl-fuchs.com

 **PEPPERL+FUCHS**