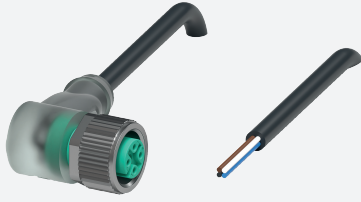


Female cordset

V1-W-E8-BK10M-PUR-U

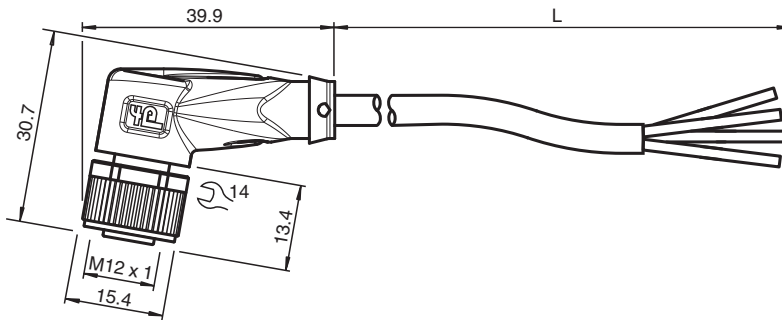


- Suitable for drag chains and abrasion resistant
- Suitable for robotic applications / torsion resistant
- Degree of protection IP68 / IP69
- Free of paint wetting interfering substances
- Built-in LED, as operating and function indicator
- Resistant to microbes and hydrolysis
- UV resistant
- UL listed for USA and Canada
- Halogen-free
- Specific design protects against loosening and inaccurate installation

Female cordset single-ended M12 angled A-coded, LED 4-pin, PUR cable black, UL approved, drag chain suitable, torsion resistant



Dimensions



Technical Data

| General specifications | | | |
|-----------------------------------|-------|----------------------------|--|
| Connector 1 | | | |
| Connection | | socket | |
| Construction type | | M12 | |
| Style | | angled | |
| Locking | | screw connection | |
| Number of pins | | 4 | |
| Coding | | A-coded | |
| Connector 2 | | | |
| Connection | | cable end | |
| Indicators/operating means | | | |
| LED green | | Operating display | |
| LED yellow | | Functional display pin 4 | |
| LED red | | Functional display pin 2 | |
| Electrical specifications | | | |
| Operating voltage | U_B | max. 24 V DC -20 % / +25 % | |
| Operating current | I_B | max. 4 A | |
| Conformity | | | |
| Degree of protection | | EN 60529 | |

Release date: 2024-02-19 Date of issue: 2024-02-19 Filename: 252994_eng.pdf

Refer to "General Notes Relating to Pepperl+Fuchs Product Information".

Pepperl+Fuchs Group
www.pepperl-fuchs.com

USA: +1 330 486 0001
fa-info@us.pepperl-fuchs.com

Germany: +49 621 776 1111
fa-info@de.pepperl-fuchs.com

Singapore: +65 6779 9091
fa-info@sg.pepperl-fuchs.com

PF PEPPERL+FUCHS

Technical Data

| | | |
|-----------------------------------|---|------|
| Plug connection | connector M12 x 1 : IEC 61076-2-101 | |
| Flammability | UL 1581; DIN EN 60332-2-2 | |
| Halogen-free | IEC 60754-1 | |
| Approvals and certificates | | |
| UL approval | AWM STYLE 20549 AWM I/II A/B 80°C 300V FT2 (cable) | |
| UL File Number | E231213 | |
| Ambient conditions | | |
| Ambient temperature | | |
| Plug connector | -40 ... 90 °C (-40 ... 194 °F) | |
| Cable, fixed | -40 ... 80 °C (-40 ... 176 °F) | |
| Cable, flexing | -20 ... 80 °C (-4 ... 176 °F) | |
| Pollution degree | 3 | |
| Mechanical specifications | | |
| Plug connector | | |
| Tightening torque | 0.6 Nm | |
| Loosening protection | available | |
| Tool installation | straight knurling and hexagon nut SW = 14 mm | |
| Mating cycles | min. 100 | |
| Degree of protection | IP68 / IP69 | |
| Cable | according to IEC/EN 60228 (DIN VDE 0295) class 6 | |
| Sheath diameter | 4.3 mm | |
| Bending radius | > 10 x cable diameter, moving > 5 x cable diameter, fixed | |
| Sheath stripping force | max. 80 N / 300 mm | |
| Sheath color | black (similar to RAL 9005) | |
| Number of cores | 4 | |
| Core cross section | 0.34 mm ² | |
| Cores color | Core 1: brown Core 2: white Core 3: blue Core 4: black | |
| Core construction | 42 x 0.1 mm Ø | |
| Length | L | 10 m |
| Cable code | Li 9Y 11Y 4 x 0.34 | |
| Drag chain suitability | | |
| Drag chain cycles | min. 5000000 | |
| Motion velocity | max. 3.3 m/s | |
| Traverse distance | max. 5 m | |
| Acceleration | max. 5 m/s ² | |
| Torsion cycles | min. 1000000 | |
| Torsional stress | ± 180 °/m | |
| Material | | |
| PWIS free | yes | |
| Halogen-free | yes | |
| Plug connector | | |
| Screw connection | Zinc diecast, nickel-plated | |
| Body | TPU, transparent | |
| Seal | FKM | |
| Contact surface | gold plated (Au) | |
| Flammability | V-2 | |
| Cable | | |
| Sheathing | PUR based on polyether | |
| Core insulation | PP | |
| UV resistance | yes | |

Release date: 2024-02-19 Date of issue: 2024-02-19 Filename: 252994_eng.pdf

Technical Data

| | |
|------------------------------|------|
| Chemical resistance | good |
| Oil resistance | yes |
| Cooling lubricant resistance | yes |
| Microbial resistance | yes |
| Hydrolysis resistance | yes |
| Flammability | FT2 |

Connection

