

HART Output Isolator with Shutdown Input

LB4105C2

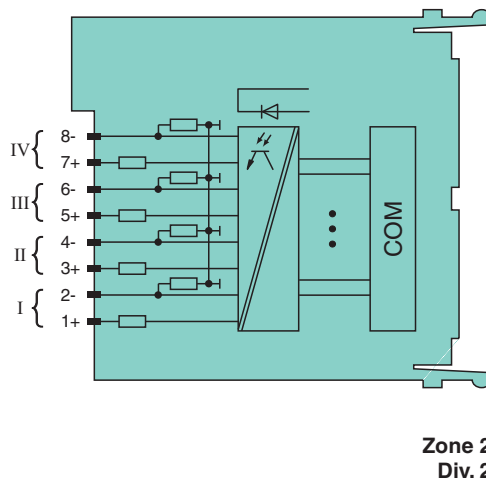
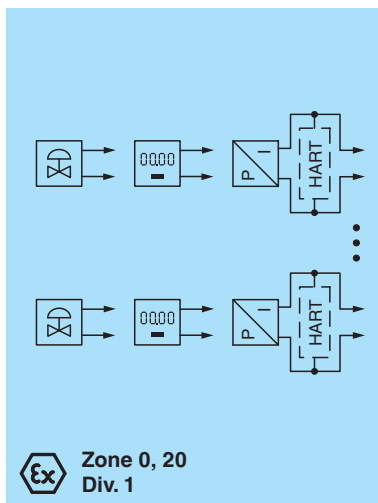
- 4-channel
- Outputs Ex ia
- Mounting in Zone 2, Class I/Div.2 or in the safe area
- Module can be exchanged under voltage
- Analog output module for 0/4 mA ... 20 mA
- HART communication via field bus or service bus
- Simulation mode for service operations (forcing)
- Line fault detection (LFD): one LED per channel
- Permanently self-monitoring
- Output with bus-independent safety shutdown



Function

The device drives positioners, proportional valves, I/P converters, or local indicators. Open and short circuit line faults are detected. The outputs can be switched off via a contact. This can be used for bus-independent safety applications. The outputs are galvanically isolated from the bus and the power supply.

Connection



Technical Data

Slots

Occupied slots 2

Functional safety related parameters

Safety Integrity Level (SIL) SIL 2

Supply

Connection backplane bus

Rated voltage U_r 12 V DC, only in connection with the power supplies LB9***

Power dissipation 2.15 W

Power consumption 3.3 W

Internal bus

Release date: 2023-10-19 Date of issue: 2023-10-19 Filename: 254727_eng.pdf

Refer to "General Notes Relating to Pepperl+Fuchs Product Information".

Pepperl+Fuchs Group
www.pepperl-fuchs.com

USA: +1 330 486 0002
pa-info@us.pepperl-fuchs.com

Germany: +49 621 776 2222
pa-info@de.pepperl-fuchs.com

Singapore: +65 6779 9091
pa-info@sg.pepperl-fuchs.com

PEPPERL+FUCHS

Technical Data

Connection	backplane bus
Interface	manufacturer-specific bus to standard com unit
Analog input	
HART communication	yes
HART secondary variable	no
Analog output	
Number of channels	4
Suitable field devices	
Field device	Proportional Valve
Field device [2]	I/P converters
Field device [3]	on-site display
Connection	terminals 1+, 2-; 3+, 4-; 5+, 6-; 7+, 8-
Current	0 ... 20 mA short-circuit protected
Line fault detection	can be switched on/off for each channel via configuration tool , configurable via configuration tool
Short-circuit	No
Open-circuit	deviation of preset output value > 0.5 mA
Load	max. 750 Ω at 20 mA
HART communication	yes
HART secondary variable	yes
Watchdog	within 0.5 s the device goes in safe state, e.g. after loss of communication
Transfer characteristics	
Deviation	
After calibration	0.1 % of the signal range at 20 °C (68 °F)
Influence of ambient temperature	0.1 %/10 K of the signal range
Refresh time	100 ms
Indicators/settings	
LED indication	Power LED (P) green: supply Diagnostic LED (I) red: module fault , red flashing: communication error , white: fixed parameter set (parameters from com unit are ignored) , white flashing: requests parameters from com unit Status LED (1-4) red: line fault (lead breakage or short circuit)
Coding	optional mechanical coding via front socket
Directive conformity	
Electromagnetic compatibility	
Directive 2014/30/EU	EN 61326-1:2013
Conformity	
Electromagnetic compatibility	NE 21:2007
Degree of protection	IEC 60529:2000
Environmental test	EN 60068-2-14:2009
Shock resistance	EN 60068-2-27:2009
Vibration resistance	EN 60068-2-6:2008
Damaging gas	EN 60068-2-42:2003
Relative humidity	EN 60068-2-78:2001
Ambient conditions	
Ambient temperature	-40 ... 60 °C (-40 ... 140 °F)
Storage temperature	-40 ... 85 °C (-40 ... 185 °F)
Relative humidity	95 % non-condensing
Altitude	max. 2000 m
Shock resistance	shock type I, shock duration 11 ms, shock amplitude 15 g, number of shocks 18
Vibration resistance	frequency range 10 ... 150 Hz; transition frequency: 57.56 Hz, amplitude/acceleration ± 0.075 mm/1 g; 10 cycles frequency range 5 ... 100 Hz; transition frequency: 13.2 Hz amplitude/acceleration ± 1 mm/0.7 g; 90 minutes at each resonance
Damaging gas	designed for operation in environmental conditions acc. to ISA-S71.04-1985, severity level G3

Release date: 2023-10-19 Date of issue: 2023-10-19 Filename: 254727_eng.pdf

Refer to "General Notes Relating to Pepperl+Fuchs Product Information".

 Pepperl+Fuchs Group
www.pepperl-fuchs.com

 USA: +1 330 486 0002
pa-info@us.pepperl-fuchs.com

 Germany: +49 621 776 2222
pa-info@de.pepperl-fuchs.com

 Singapore: +65 6779 9091
pa-info@sg.pepperl-fuchs.com

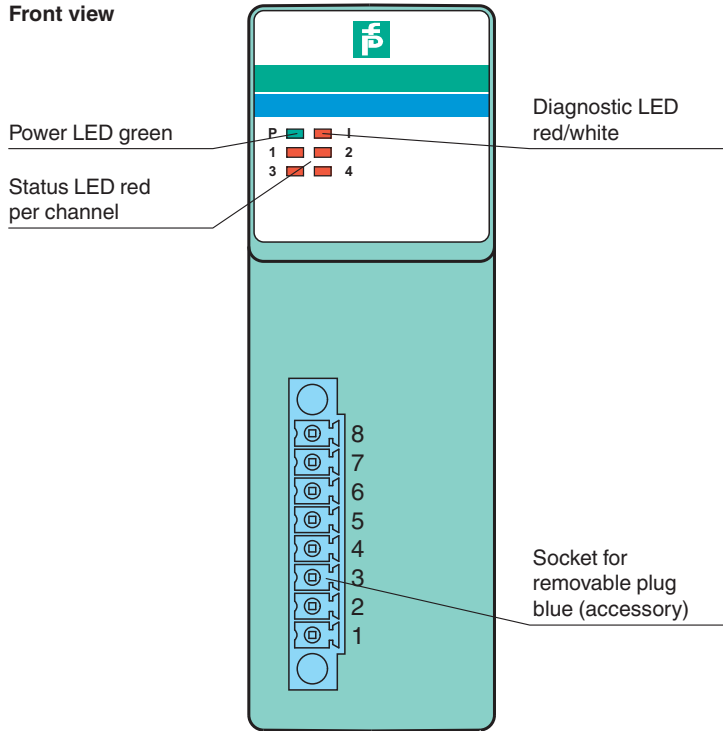
 **PEPPERL+FUCHS**

Technical Data

Mechanical specifications			
Degree of protection		IP20 when mounted on backplane	
Connection		removable front connector with screw flange (accessory) wiring connection via spring terminals (0.14 ... 1.5 mm ²) or screw terminals (0.08 ... 1.5 mm ²)	
Mass		approx. 150 g	
Dimensions		32.5 x 100 x 102 mm (1.28 x 3.9 x 4 inch)	
Data for application in connection with hazardous areas			
EU-type examination certificate		BVS 11 ATEX E 116 X	
Marking		Ⓜ II 3(1) G Ex nA [ia Ga] IIC T4 Gc Ⓜ I (M1) [Ex ia Ma] I Ⓜ II (1) D [Ex ia Da] IIIC	
Output			
Voltage	U _o	27 V	
Current	I _o	87 mA	
Power	P _o	575 mW (linear characteristic)	
Galvanic isolation			
Output/power supply, internal bus		safe electrical isolation acc. to EN 60079-11, voltage peak value 375 V	
Directive conformity			
Directive 2014/34/EU		EN IEC 60079-0:2018+AC:2020 EN 60079-11:2012 EN 60079-15:2010	
International approvals			
ATEX approval		BVS 11 ATEX E 116X	
UL approval		E106378	
IECEx approval			
IECEx certificate		IECEx BVS 11.0068X	
IECEx marking		Ex nA [ia Ga] IIC T4 Gc [Ex ia Da] IIIC [Ex ia Ma] I	
General information			
System information		The module has to be mounted in appropriate backplanes (LB9***) in Zone 2 or outside hazardous areas. Here, observe the corresponding declaration of conformity. For use in hazardous areas (e. g. Zone 2, Zone 22 or Div. 2) the module must be installed in an appropriate enclosure.	
Supplementary information		EC-Type Examination Certificate, Statement of Conformity, Declaration of Conformity, Attestation of Conformity and instructions have to be observed where applicable. For information see www.pepperl-fuchs.com .	

Assembly

Front view



Release date: 2023-10-19 Date of issue: 2023-10-19 Filename: 254727_eng.pdf

Refer to "General Notes Relating to Pepperl+Fuchs Product Information".

Pepperl+Fuchs Group
www.pepperl-fuchs.com

USA: +1 330 486 0002
pa-info@us.pepperl-fuchs.com

Germany: +49 621 776 2222
pa-info@de.pepperl-fuchs.com

Singapore: +65 6779 9091
pa-info@sg.pepperl-fuchs.com