



AS-Interface contact expansion module

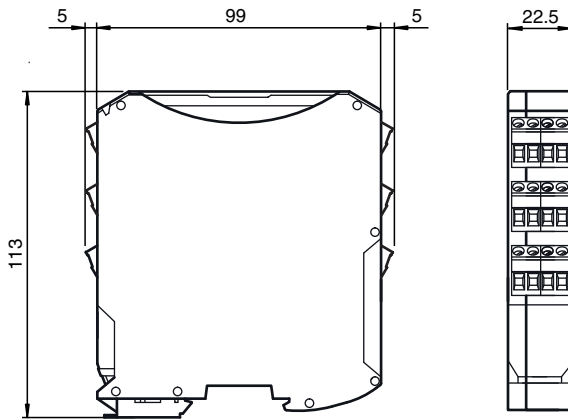
VAZ-2E8A-KE4-Z/R-S

- Up to 6 A startup current
- 20 ms switch-off time

Safe contact expansion, 2 channels, 8 contact sets



Dimensions



Technical Data

General specifications			
Description		Safe contacts, instantaneous 4 contact sets per channel (contacts are one-way guided)	
Functional safety related parameters			
Category		Cat. 4	
Mission Time (T _M)		20 a	
B _{10d}		1.96 E+6	
Indicators/operating means			
LEDs 1, 2, 3, 4		LEDs yellow CH1, CH2: contact 1 and 2 closed EDM1, EDM2: feedback circuit 1 and 2 closed	
Electrical specifications			
Rated operating current		I _e	80 mA per channel
Surge protection		overvoltage category III	
Input			
Pulse length		max. 1.5 ms (permissible test pulse time)	
Signal level		0-signal: < 2.4 V DC 1-signal: 18 ... 26.5 V	
Output			

Release date: 2022-07-06 Date of issue: 2022-07-06 Filename: 255794_eng.pdf

Refer to "General Notes Relating to Pepperl+Fuchs Product Information".

Pepperl+Fuchs Group
www.pepperl-fuchs.com

USA: +1 330 486 0001
fa-info@us.pepperl-fuchs.com

Germany: +49 621 776 1111
fa-info@de.pepperl-fuchs.com

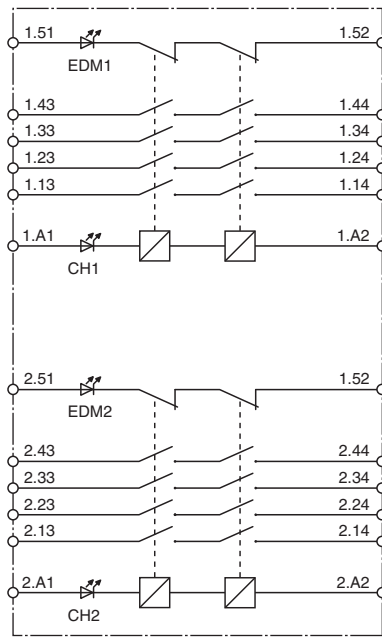
Singapore: +65 6779 9091
fa-info@sg.pepperl-fuchs.com

PF PEPPERL+FUCHS

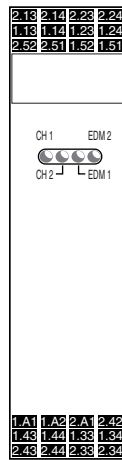
Technical Data

Short-circuit protection/overload		6 A gG
Switching current		max. 6 A for 20 ms
Current		Total current per channel 12 A
Response delay		Response delay: < 20 ms
Switching frequency	f	15 Hz
Relay		
Switching voltage		10 V ... 230 V
Switching current		5 mA ... 3 A
Mechanical life		approx. 10 x 10 ⁶ switching cycles
Electrical life		AC1 (360 S/h), approx. 100 x 10 ³ switching cycles
Contact loading		Feedback loop: max. 20 mA
Compliance with standards and directives		
Directive conformity		
Low Voltage Directive 2006/95/EC		EN 60947-1:2007/A1:2011 EN 60947-5-1:2004/AC:2005
EMC Directive 2004/108/EC		EN 61000-6-2:2005/AC:2005 EN 61000-6-3:2007/A1:2011
Standard conformity		
Electromagnetic compatibility		EN 61000-6-2:2005, EN 61000-6-4:2001
Degree of protection		EN 60529:2000
Electrical safety		EN 60947-1:2007 EN 60947-5-1:2005
Ambient conditions		
Ambient temperature		0 ... 55 °C (32 ... 131 °F)
Storage temperature		-25 ... 85 °C (-13 ... 185 °F)
Relative humidity		non-condensing
Pollution degree		2
Mechanical specifications		
Degree of protection		IP20
Connection		removable terminals rated connection capacity: rigid/flexible (with and without wire-end ferrules): 0.25 mm ² ... 2.5 mm ² for multiple-wire connection with two wires of equal cross-section: flexible with twin wire-end ferrules: 0.5 mm ² ... 1.5 mm ²
Material		
Housing		PA 66-FR
Mass		270 g
Mounting		DIN mounting rail

Connection



Assembly



Release date: 2022-07-06 Date of issue: 2022-07-06 Filename: 255794_eng.pdf