



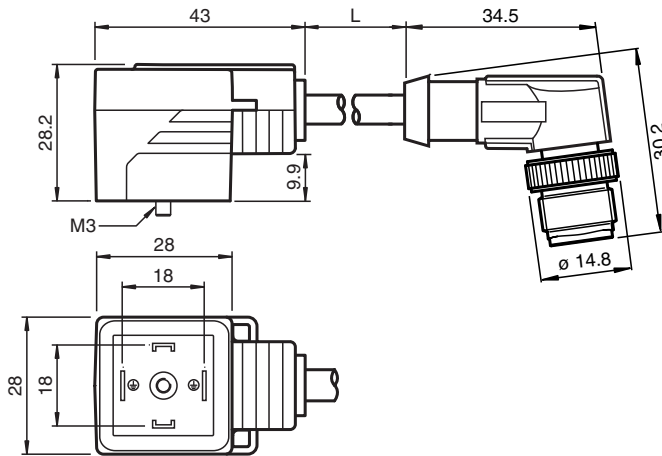
Valve Connector Cordset

VMA-2+P/Z2-0,6M-PVC-V1-W-Y

- Valve connector according EN 175301-803 A/ISO 4400 (previously DIN 43650)
- Z diode as a protective circuit
- Built-in LED, as operating and function indicator
- Moulded seal
- freely selectable cable models due to bridged protective earth
- Flame resistant cable

Valve connector, Form A on M12, 2+PE, LED, Z diode, PVC cable

Dimensions



Technical Data

| General specifications | | | |
|----------------------------|----------------|--|---|
| Number of pins | | | 2 + PE |
| Connection 1 | | | Valve connector DIN |
| Construction type 1 | | | right angle |
| Connection 2 | | | Male connector |
| Construction type 2 | | | right angle |
| Threading 2 | | | M12 |
| Indicators/operating means | | | |
| LED yellow | | | Functional display |
| Electrical specifications | | | |
| Operating voltage | U _B | | 24 V AC/DC |
| Operating current | I _B | | max. 4 A |
| Volume resistance | | | < 5 mΩ |
| Suppression | | | Zener diode |
| Ambient conditions | | | |
| Ambient temperature | | | Body: -20 ... 85 °C (-4 ... 185 °F) cable, flexing: -5 ... 80 °C (23 ... 176 °F) cable, fixed: -40 ... 80 °C (-40 ... 176 °F) |

Release date: 2020-10-13 Date of issue: 2020-10-13 Filename: 257065_eng.pdf

Refer to "General Notes Relating to Pepperl+Fuchs Product Information".

Pepperl+Fuchs Group
www.pepperl-fuchs.com

USA: +1 330 486 0001
fa-info@us.pepperl-fuchs.com

Germany: +49 621 776 1111
fa-info@de.pepperl-fuchs.com

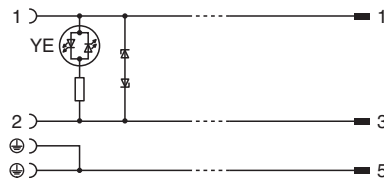
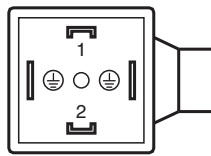
Singapore: +65 6779 9091
fa-info@sg.pepperl-fuchs.com

PF PEPPERL+FUCHS

Technical Data

| | | |
|----------------------------------|---|--|
| Pollution degree | | 3 |
| Mechanical specifications | | |
| Degree of protection | | IP65/IP67 |
| Connection | | Valve connector Form A |
| Material | | |
| Contacts | | CuSn |
| Contact surface | | Sn |
| Body | | TPU, black |
| Cable | | PVC |
| Core insulation | | PVC |
| Cable | | |
| Sheath diameter | | Ø 4.8 mm |
| Bending radius | | > 5 x cable diameter, moving > 10 x cable diameter, fixed |
| Color | | black |
| Cores | | 3 x 0.5 mm ² , 20 AWG |
| Conductor construction | | 28 x 0.15 mm Ø |
| Length | L | 0.6 m |

Connection



Release date: 2020-10-13 Date of issue: 2020-10-13 Filename: 257065_eng.pdf