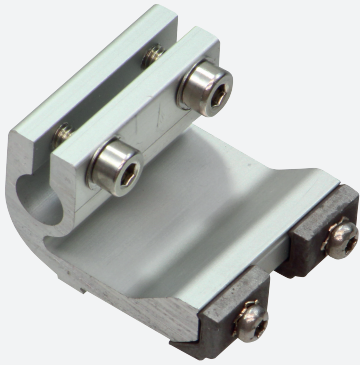


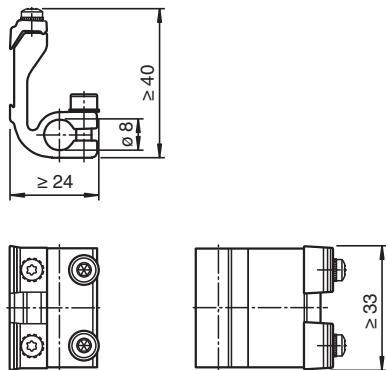
Mounting aid OMH-SLCT-06



- Mounting bracket
- Sturdy construction
- Simple and fast mounting
- Pipe mounting
- Slewable without additional mounting aid

Swivel Bracket

Dimensions



Technical Data

Mechanical specifications

Material	Aluminum
Mass	approx. 28 g

General information

Scope of delivery	Mounting bracket ; Screw kit
-------------------	------------------------------

Suitable series

Safety Series	SLCT SLCS
---------------	--------------

Release date: 2020-07-31 Date of issue: 2020-10-06 Filename: 258532_eng.pdf

Refer to "General Notes Relating to Pepperl+Fuchs Product Information".

Pepperl+Fuchs Group
www.pepperl-fuchs.com

USA: +1 330 486 0001
fa-info@us.pepperl-fuchs.com

Germany: +49 621 776 1111
fa-info@de.pepperl-fuchs.com

Singapore: +65 6779 9091
fa-info@sg.pepperl-fuchs.com

PF PEPPERL+FUCHS