



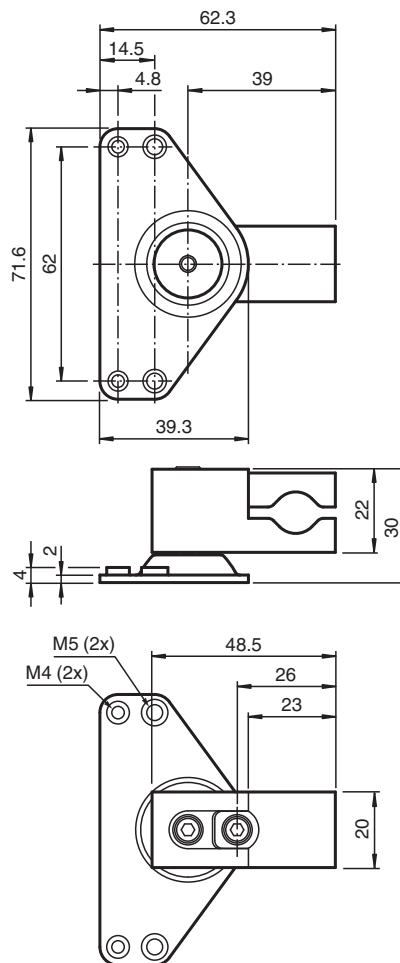
Mounting aid OMH-051



- Bracket for round steel or sheet

Mounting aid for round steel \varnothing 10 ... 14 mm or sheet 1 mm ... 5 mm

Dimensions



Technical Data

Mechanical specifications

Release date: 2020-06-30 Date of issue: 2020-06-30 Filename: 262678_eng.pdf

Refer to "General Notes Relating to Pepperl+Fuchs Product Information".

Pepperl+Fuchs Group
www.pepperl-fuchs.com

USA: +1 330 486 0001
fa-info@us.pepperl-fuchs.com

Germany: +49 621 776 1111
fa-info@de.pepperl-fuchs.com

Singapore: +65 6779 9091
fa-info@sg.pepperl-fuchs.com

PF PEPPERL+FUCHS

Technical Data

Material	Metal sheet (steel), zinc-plated aluminum
Mass	approx. 80 g
Tightening torque, fastening screws	1.4 Nm
Mounting	Mounting accessories included
Suitable series	
Series	RL28 RL29
Reflector series	H75 reflector

Function

The all-in-one mounting bracket enables the sensor to be mounted onto a 10 mm ... 14 mm round rod as well as onto 1 mm ... 5 mm flat profiles at the same time.

The functional clamping profile of the bracket eliminates the need for multiple brackets.

The two separate mounting screws of the clamping profile allow for the sensor to be mounted and aligned in two distinct steps, one after the other.