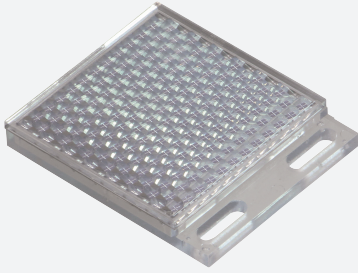
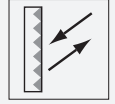


# Reflector

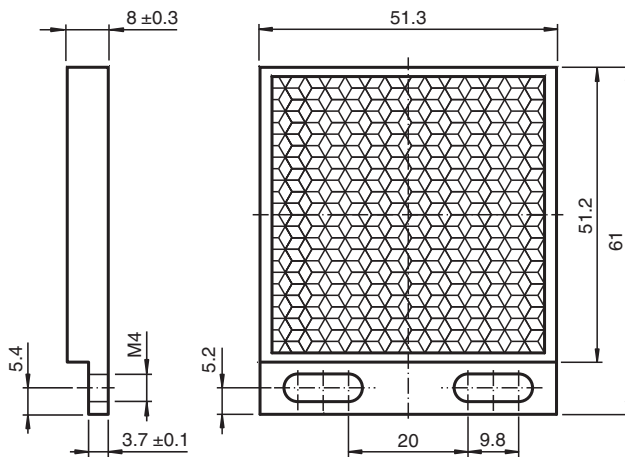
## REF-H50x60HT



- Mounting holes for simple installation
- High-temperature applications

Reflector, rectangular, 51.3 mm x 61 mm, mounting holes, retaining tab, high-temperature application

### Dimensions



### Technical Data

<b>General specifications</b>	
Construction type	rectangular
<b>Ambient conditions</b>	
Ambient temperature	-20 ... 99 °C (-4 ... 210.2 °F)
<b>Mechanical specifications</b>	
Material	PC
Dimensions	51.3 mm x 61 mm x 8 mm
Mounting	mounting holes

Release date: 2023-09-27 Date of issue: 2023-09-27 Filename: 264217\_eng.pdf

Refer to "General Notes Relating to Pepperl+Fuchs Product Information".

Pepperl+Fuchs Group  
www.pepperl-fuchs.com

USA: +1 330 486 0001  
fa-info@us.pepperl-fuchs.com

Germany: +49 621 776 1111  
fa-info@de.pepperl-fuchs.com

Singapore: +65 6779 9091  
fa-info@sg.pepperl-fuchs.com

**PF** PEPPERL+FUCHS