

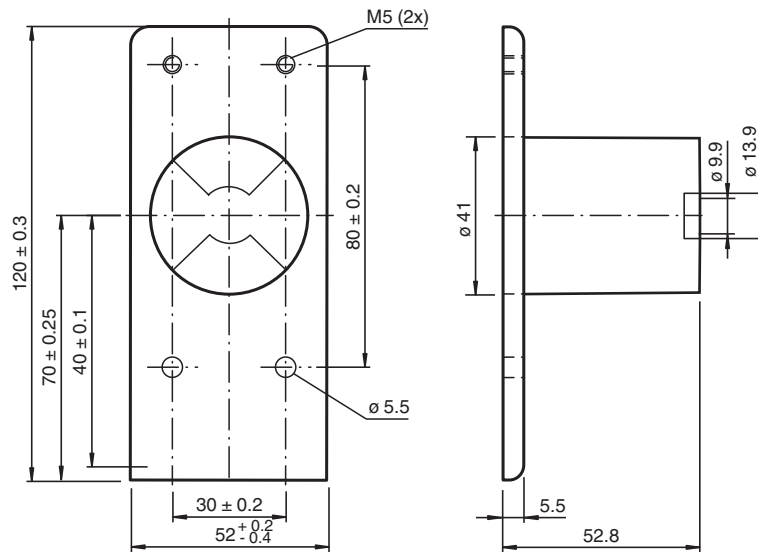
# Activator BT43-RG-01



- High-visibility valve position display
- Suitable for right and left rotating drives
- Protection against contamination and damage
- Actuator to mount without tool

Activator for F25 series including protective housing and mounting plate

## Dimensions



Release date: 2020-03-30 Date of issue: 2020-06-30 Filename: 264864\_eng.pdf

Refer to "General Notes Relating to Pepperl+Fuchs Product Information".

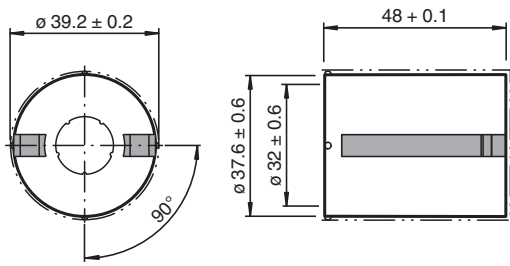
Pepperl+Fuchs Group  
www.pepperl-fuchs.com

USA: +1 330 486 0001  
fa-info@us.pepperl-fuchs.com

Germany: +49 621 776 1111  
fa-info@de.pepperl-fuchs.com

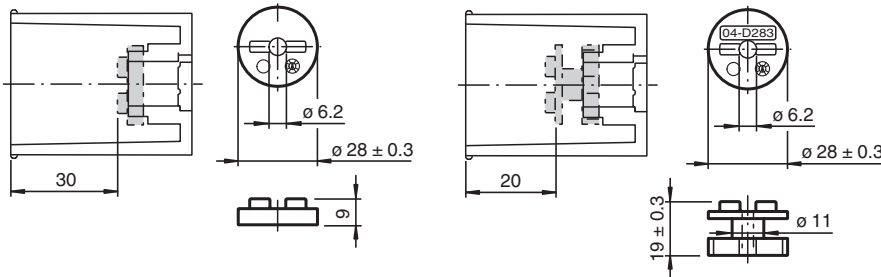
Singapore: +65 6779 9091  
fa-info@sg.pepperl-fuchs.com

**PF** PEPPERL+FUCHS



with Spacer element for 20 mm shaft height

with Spacer element for 30 mm shaft height



## Technical Data

<b>General specifications</b>	
Ring diameter	max. 32 mm
<b>Nominal ratings</b>	
Valve status indicator	red = CLOSED green = OPEN
<b>Compliance with standards and directives</b>	
Standard conformity	
Standards	VDI / VDE 3845
<b>Ambient conditions</b>	
Ambient temperature	-25 ... 70 °C (-13 ... 158 °F)
<b>Mechanical specifications</b>	
Shaft diameter	≤ 31 mm
Shaft height	20 mm and 30 mm
Mounting hole pattern	30 x 80 mm
<b>Material</b>	
Housing	PC
Actuator	PBT
Spacer element	PP
Mounting screw	Stainless steel 1.4305 / AISI 303 , 2 cylinder head screws ( Mounting plate )
Activation target	Stainless steel 1.4305 / AISI 303 (integrated)
Mass	107 g
<b>General information</b>	
Scope of delivery	1 Activator for F25 series 1 Spacer element for 20 mm shaft height 1 Spacer element for 30 mm shaft height 1 Protective cover 1 Mounting plate with 2 cylinder head screws M5 X 13 2 cylinder head screws M5x30 for F25 mounting 2 cylinder head screws M5x45 for F25K mounting

Release date: 2020-03-30 Date of issue: 2020-06-30 Filename: 264864\_eng.pdf