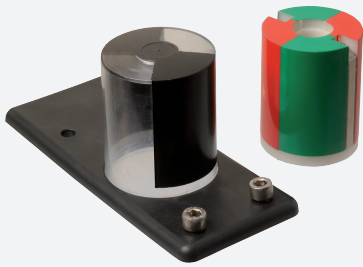


Activator

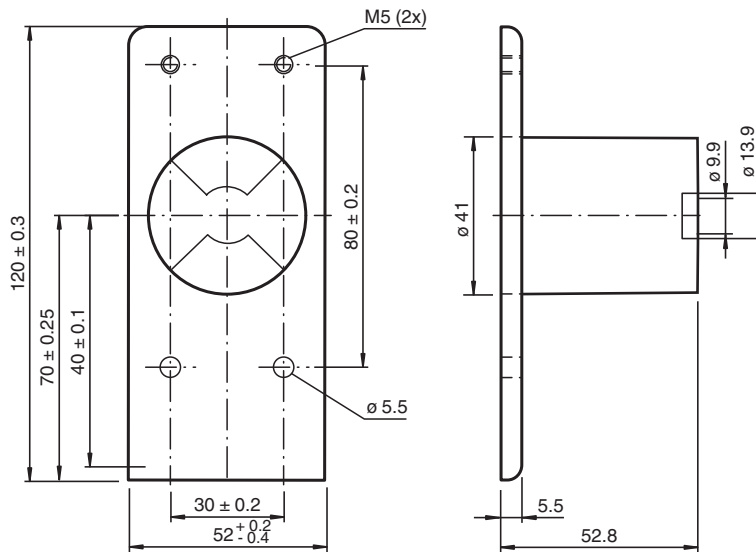
BT43-RG-02



- High-visibility valve position display
- Suitable for right and left rotating drives
- Protection against contamination and damage
- Actuator to mount without tool

Activator for F25 series including protective housing and mounting plate

Dimensions



Release date: 2020-04-03 Date of issue: 2020-06-30 Filename: 264865_eng.pdf

Refer to "General Notes Relating to Pepperl+Fuchs Product Information".

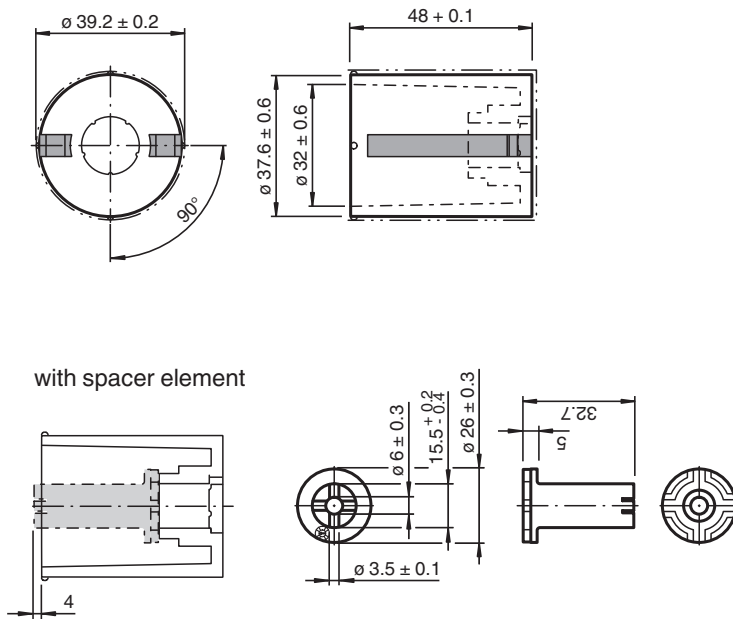
Pepperl+Fuchs Group
www.pepperl-fuchs.com

USA: +1 330 486 0001
fa-info@us.pepperl-fuchs.com

Germany: +49 621 776 1111
fa-info@de.pepperl-fuchs.com

Singapore: +65 6779 9091
fa-info@sg.pepperl-fuchs.com

PF PEPPERL+FUCHS



Technical Data

General specifications	
Ring diameter	max. 43 mm
Nominal ratings	
Valve status indicator	red = CLOSED green = OPEN
Compliance with standards and directives	
Standard conformity	
Standards	VDI / VDE 3845
Ambient conditions	
Ambient temperature	-25 ... 70 °C (-13 ... 158 °F)
Mechanical specifications	
Shaft diameter	≤ 31 mm
Shaft height	0 mm
Mounting hole pattern	30 x 80 mm
Material	
Housing	PC
Actuator	PBT
Spacer element	PBT
Mounting screw	Stainless steel 1.4305 / AISI 303 , 2 cylinder head screws (Mounting plate)
Activation target	Stainless steel 1.4305 / AISI 303 (integrated)
Mass	109 g
General information	
Scope of delivery	1 Activator for F25 series 1 Distance element 1 Protective cover 1 Mounting plate with 2 cylinder head screws M5 X 13 2 cylinder head screws M5x30 for F25 mounting 2 cylinder head screws M5x45 for F25K mounting

Release date: 2020-04-03 Date of issue: 2020-06-30 Filename: 264865_eng.pdf