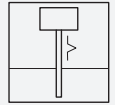




Guided Level Radar

LTC57



- Premium device for level measurement in bulk solids
- Measuring range up to 45 m (148 foot)
- Process connection 1-1/2 inch thread or flange
- Temperature range up to 150 °C (302 °F)
- Pressure range up to 16 bar (232 psi)
- Up to SIL 3 acc. to IEC/EN 61508

CE  **SIL 3** Ü

Function

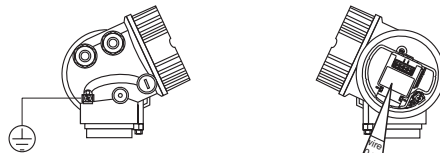
The device offers the following benefits:

- Reliable measurement even for changing product and process conditions
- HistoROM data management for easy commissioning, maintenance and diagnostics
- Highest reliability due to Multi-Echo tracking
- Seamless integration into control or asset management systems
- Intuitive user interface in national languages
- Approvals: ATEX, IECEx

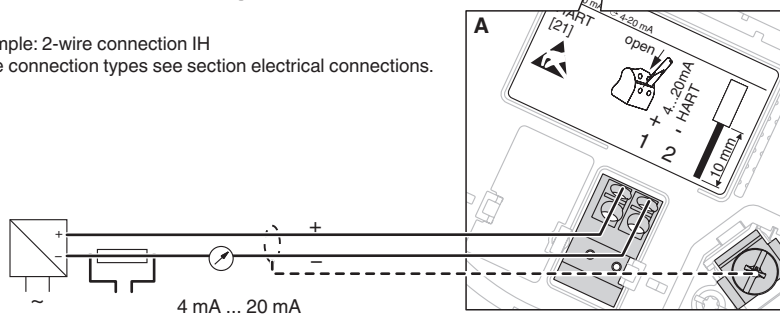
The following interfaces are available for system integration:

- HART with 4 mA ... 20 mA analog (standard)
- PROFIBUS PA (option)

Connection



Example: 2-wire connection IH
More connection types see section electrical connections.



Technical Data

General specifications

Measuring method	The device is a measuring system that functions according to the time-of-flight method. The distance from the reference point (process connection of the measuring device) to the product surface is measured.
Construction type	device with rod probe device with rope probe
Series	LTC57

Functional safety related parameters

Release date: 2023-09-11 Date of issue: 2023-09-11 Filename: 264919_eng.pdf

Refer to "General Notes Relating to Pepperl+Fuchs Product Information".

Pepperl+Fuchs Group
www.pepperl-fuchs.com

USA: +1 330 486 0002
pa-info@us.pepperl-fuchs.com

Germany: +49 621 776 2222
pa-info@de.pepperl-fuchs.com

Singapore: +65 6779 9091
pa-info@sg.pepperl-fuchs.com

 **PEPPERL+FUCHS**

Technical Data

Safety Integrity Level (SIL)	SIL 3	
Supply		
Rated voltage	U_r	11.5 ... 35 V DC, 2-wire 10.4 ... 48 V DC, 4-wire 90 ... 253 V AC, 50/60 Hz
Input		
Measured variable	distance between reference point and product surface	
Measurement range		rod probe: 4 m (13 ft) rope probe: 45 m (148 ft)
Output		
Output signal		4 ... 20 mA 2 x 4 ... 20 mA
Communication		4 ... 20 mA HART (standard) PROFIBUS PA (option)
Directive conformity		
Electromagnetic compatibility		
Directive 2014/30/EU		EN 61326-1:2006 , EN 61326-2-3:2006
Low voltage		
Directive 2014/35/EU		EN 61010-1:2010
Conformity		
Degree of protection		IEC 60529:2001
Measurement accuracy		
Accuracy		digital: - measuring range up to 15 m (49 feet): ± 2 mm (0.08 inch) - measuring range > 15 m (49 feet): ± 10 mm (0.39 inch) analog: 0.02 % sum of non-linearity, non-repeatability and hysteresis included in the maximum measured error
Operating conditions		
Process conditions		
Process temperature		-30 ... 150 °C (-22 ... 302 °F)
Process pressure (static pressure)		-1 ... 16 bar (-14.5 ... 232.1 psi)
Dielectric constant		rod probe: DC \geq 1.6 rope probe: DC \geq 1.6
Ambient conditions		
Ambient temperature		-40 ... 80 °C (-40 ... 176 °F)
Mechanical specifications		
Degree of protection		IP68, NEMA 6P (24 hours in water 1.83 m (6 ft) deep) IP66, NEMA 4X
Connection		gland M20 thread M20, G1/2, NPT1/2 device plug M12, 7/8 in
Material		materials in contact with process : rod probe: 1.4404/316L rope probe: 1.4401/316 (optional PA coated) process connections: 1.4301/304, 1.4401/316, 1.4404/316L process membran, seal: Viton, EPDM
Process connection		threads: G1-1/2, NPT1-1/2 flanges: DIN EN from DN40, ANSI from 1-1/2", JIS from DN40
Data for application in connection with hazardous areas		
EU-type examination certificate		see instruction manuals (SI)
Directive conformity		
Directive 2014/34/EU		EN 60079-0:2012+A11:2013 , EN 60079-1:2007 , EN 60079-11:2012 , EN 60079-15:2010 , EN 60079-26:2007 , EN 60079-31:2009
International approvals		
IECEx approval		see instruction manuals (SI)
Certificates and approvals		
Overspill protection		see approval (ZE)
Telecommunications		radio license FCC
General information		

Release date: 2023-09-11 Date of issue: 2023-09-11 Filename: 264919_eng.pdf

Refer to "General Notes Relating to Pepperl+Fuchs Product Information".

 Pepperl+Fuchs Group
www.pepperl-fuchs.com

 USA: +1 330 486 0002
pa-info@us.pepperl-fuchs.com

 Germany: +49 621 776 2222
pa-info@de.pepperl-fuchs.com

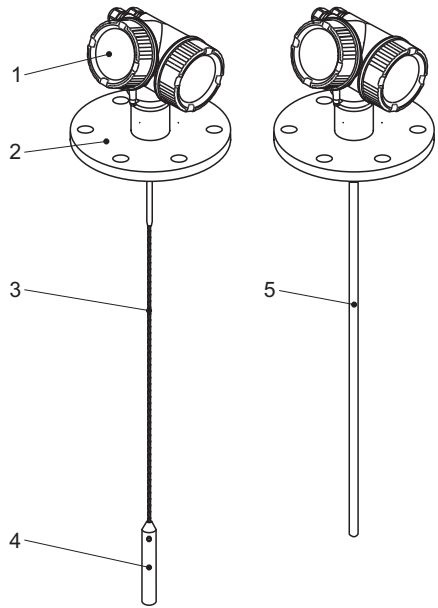
 Singapore: +65 6779 9091
pa-info@sg.pepperl-fuchs.com

 **PEPPERL+FUCHS**

Technical Data

Supplementary documentation	technical information (TI) manuals, brief instructions (BA, KA) instruction manuals (SI) approval (ZE)
Supplementary information	Observe the certificates, declarations of conformity, instruction manuals, and manuals where applicable. For information see www.pepperl-fuchs.com .
Accessories	
Designation	see technical information (TI)

Assembly



- 1 Electronics housing
- 2 Process connection (e. g. flange)
- 3 Rope probe
- 4 End-of-probe weight
- 5 Rod probe

Type Code

This overview does not mark options which are mutually exclusive.
 Option with * = on request/in preparation
 Option with ** = multiple options can be selected

L	T	C	5	7	-	(1)	-	(2)	(3)	(4)	-	(5)	(6)	(7)	-	(8)	(9)	.	L
---	---	---	---	---	---	-----	---	-----	-----	-----	---	-----	-----	-----	---	-----	-----	---	---

LTC57	Device
LTC57	Guided level radar

(1)	Type of probe
2	in mm, rope Ø4 mm, 1.4401/316, max. 150 mm nozzle height, center rod
3	in inch, rope Ø1/6 inch, 1.4401/316, max. 6 in nozzle height, center rod
L	in mm, rod Ø16 mm, 1.4404/316L
M	in mm, rope Ø6 mm, 1.4401/316
N	in mm, rope Ø6 mm, PA > steel
P	in inch, rod Ø0.63 inch, 1.4404/316L
Q	in inch, rope Ø1/4 inch, 1.4401/316
R	in mm, rope Ø8 mm, PA > steel
S	in inch, rope Ø1/4 inch, PA > steel
T	in inch, rope Ø1/3 inch, PA > steel
X	Special version

(2)	Process connection
Flanges	
A51	1-1/2 inch 150 lbs RF, 1.4401/316/1.4404/316L, ANSI B16.5 (CRN)
A61	2 inch 150 lbs RF, 1.4401/316/1.4404/316L, ANSI B16.5 (CRN)

Release date: 2023-09-11 Date of issue: 2023-09-11 Filename: 264919_eng.pdf

Refer to "General Notes Relating to Pepperl+Fuchs Product Information".

Type Code

(2)	Process connection
A81	3 inch 150 lbs RF, 1.4401/316/1.4404/316L, ANSI B16.5 (CRN)
A91	4 inch 150 lbs RF, 1.4401/316/1.4404/316L, ANSI B16.5 (CRN)
AA1	6 inch 150 lbs RF, 1.4401/316/1.4404/316L, ANSI B16.5 (CRN)
AB1	8 inch 150 lbs RF, 1.4401/316/1.4404/316L, ANSI B16.5 (CRN)
D65	DN40 PN10/40 B1, 1.4404/316L, EN 1092-1
D73	DN50 PN10/16 B1, 1.4404/316L, EN 1092-1
D93	DN80 PN10/16 B1, 1.4404/316L, EN 1092-1
DA3	DN80 PN25/40 B1, 1.4404/316L, EN 1092-1
DC3	DN150 PN10/16 B1, 1.4404/316L, EN 1092-1
DE3	DN200 PN16 B1, 1.4404/316L, Flansch EN 1092-1
J16	10K 50A RF, 1.4404/316L, JIS B2220
J17	10K 80A RF, 1.4404/316L, JIS B2220
J18	10K 40A RF, 1.4404/316L, JIS B2220
J19	10K 100A RF, 1.4404/316L, JIS B2220
Threads	
G54	G1-1/2, ISO 228, 304 (CRN)
N54	MNPT1-1/2, ANSI, 304 (CRN)
XXX	Special version

(3)	Electrical connection
A	Gland M20, IP66/68, NEMA 4X/6P
B	Thread M20, IP66/68, NEMA 4X/6P
C	Thread G1/2, IP66/68, NEMA 4X/6P
D	Thread NPT1/2, IP66/68, NEMA 4X/6P
I	Connector M12, IP66/68, NEMA 4X/6P
M	Connector 7/8 inch, IP66/68, NEMA 4X/6P
X	Special version

(4)	Seal
3	EPDM, -40 to 120 °C
5	Viton, -30 to 150 °C
X	Special version

(5)	Housing
A1	GT19 dual compartment, plastics PBT
A2	GT20 dual compartment, alu coated
A3	GT18 dual compartment, 1.4404/316L
XX	Special version

(6)	Electrical output
AH	4-wire, 90 to 253 V AC, 4 to 20 mA, HART
DH	4-wire, 10.4 to 48 V DC, 4 to 20 mA, HART
ID	2-wire, 4 to 20 mA, HART, switching output
IE	2-wire, 4 to 20 mA, HART, 4 to 20 mA
IH	2-wire, 4 to 20 mA, HART
PA	2-wire, PROFIBUS PA, switching output
XX	Special version

(7)	Display, operation
B	Without display, via communicator
D	SD02 4-line, push-buttons and data backup function
E	* SD03 4-line, illuminated, touch control and data backup function

(8)	Approval
C1	* CSA C/US IS Cl.I,II,III Div.1 Gr.A-G, NI Cl.1 Div.2, Ex ia
C2	* CSA C/US XP Cl.I,II,III Div.1 Gr.A-G, NI Cl.1 Div.2, Ex d
CD	CSA C/US DIP Cl.II,III Div.1 Gr.E-G
CG	CSA C/US General Purpose
E1	ATEX II 1G Ex ia IIC T6...T1 Ga
E3	ATEX II 3G Ex nA IIC T6...T1 Gc
E4	ATEX II 3G Ex ic IIC T6...T1 Gc
EG	* ATEX II 1/2G Ex d [ia] IIC T6...T1 Ga/Gb or 1/2 D Ex ta IIIC Txx°C Da/Db
EX	ATEX II 1/2G Ex ia IIC T6...T1 Ga/Gb
FE	* FM DIP Cl.II,III Div.1 Gr.E-G
FI	* FM IS Cl.I,II,III Div.1 Gr.A-G, AEx ia, NI Cl.1 Div.2
FN	* FM XP Cl.I,II,III Div.1 Gr.A-G, AEx d, NI Cl.1 Div.2

Release date: 2023-09-11 Date of issue: 2023-09-11 Filename: 264919_eng.pdf

Refer to "General Notes Relating to Pepperl+Fuchs Product Information".

Pepperl+Fuchs Group
www.pepperl-fuchs.comUSA: +1 330 486 0002
pa-info@us.pepperl-fuchs.comGermany: +49 621 776 2222
pa-info@de.pepperl-fuchs.comSingapore: +65 6779 9091
pa-info@sg.pepperl-fuchs.com

PEPPERL+FUCHS

Type Code

(8)	Approval
IA	IECEEx Ex ia T6...T1 Ga
IB	IECEEx Ex ia IIC T6...T1 Ga/Gb
IE	IECEEx Ex ta IIIC Txx°C Da
IF	IECEEx Ex ta IIIC Txx°C Da/Db
IG	IECEEx Ex nA IIC T6...T1 Gc
IH	IECEEx Ex ic IIC T6...T1 Gc
NA	Version for non-explosion-hazardous area
S3	ATEX II 1 D Ex ta IIIC Txx°C Da
S4	ATEX II 1/2 D Ex ta IIIC Txx°C Da/Db
SX	* ATEX II 1/2G Ex ia IIC T6...T1 Ga/Gb or 1/2 D Ex ia IIIC Txx°C Da/D

Additional Options

(9)	Additional operation language
C	French
D	Spanish
E	Italian
F	Dutch
G	Portuguese
H	Polish
I	Russian
J	Turkish
K	Chinese abbreviations
L	Japanese
M	Korean
O	Bahasa
Q	Vietnamese
R	Czech

(9)	Calibration
4	5-point linearity protocol

(9)	Service **
T	Customized parametrization HART
U	Customized parametrization PA

(9)	Test, certificate **
A	Material certificate, wetted metallic parts, EN 10204-3.1 inspection certificate

(9)	Additional approval **
S	SIL Functional Safety


(9)	Probe design **
B	Sensor remote, 3 m cable, detachable, with mounting bracket
C	Sensor remote, 6 m cable, detachable, with mounting bracket
D	Sensor remote, 9 m cable, detachable, with mounting bracket

(9)	Firmware version
5	01.00.zz, HART, DevRev01
7	01.00.zz, PROFIBUS PA, DevRev01

(9)	Marking
1	Tagging (TAG), see additional specification
2	Bus address, see additional specifications

L	Probe length
Length	Length depends on chosen type of probe: - Rod probe: length in mm, 16 mm to 4000 mm - Rope probe: length in mm, 16 mm to 45000 mm

Accessories

	PACTware 5.0	FDT Framework
---	---------------------	---------------

Release date: 2023-09-11 Date of issue: 2023-09-11 Filename: 264919_eng.pdf

Refer to "General Notes Relating to Pepperl+Fuchs Product Information".

Accessories



DTM Level Control

DTM collection

Release date: 2023-09-11 Date of issue: 2023-09-11 Filename: 264919_eng.pdf

Refer to "General Notes Relating to Pepperl+Fuchs Product Information".

Pepperl+Fuchs Group
www.pepperl-fuchs.com

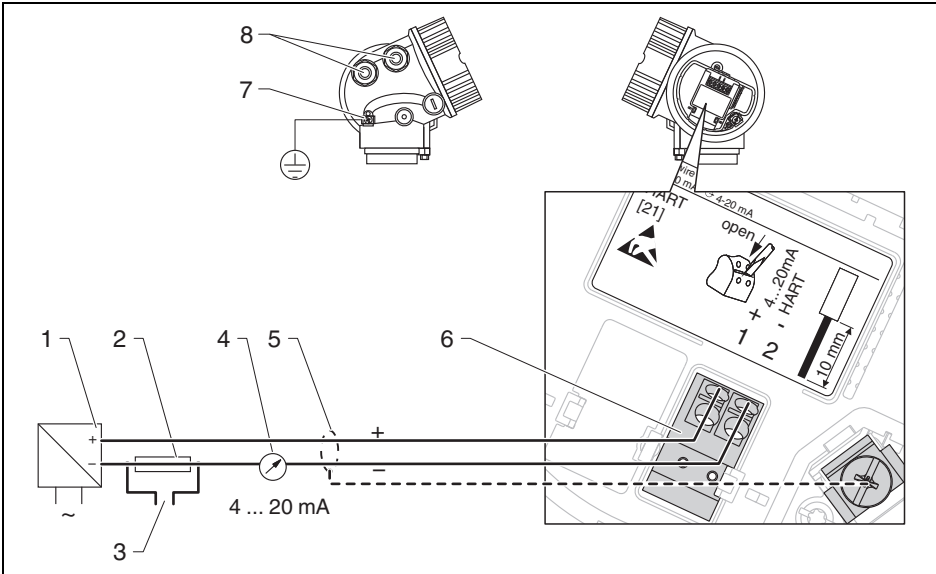
USA: +1 330 486 0002
pa-info@us.pepperl-fuchs.com

Germany: +49 621 776 2222
pa-info@de.pepperl-fuchs.com

Singapore: +65 6779 9091
pa-info@sg.pepperl-fuchs.com

Connection

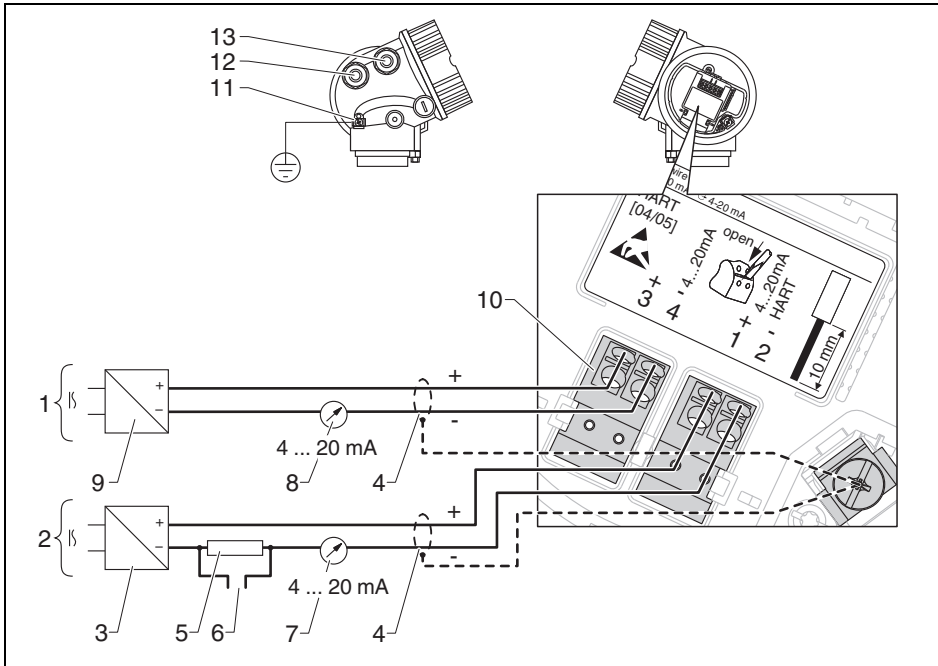
2-wire, 4 mA ... 20 mA HART (version IH)



- 1 Active barrier with power supply (e. g. KCD2-STC-Ex1): observe terminal voltage
- 2 HART communication resistor ($\geq 250 \Omega$): observe maximum load
- 3 Connection for optional field communicator
- 4 Analog display device: observe maximum load
- 5 Cable screen; observe cable specification
- 6 4 mA ... 20 mA HART (passive): terminals 1 and 2
- 7 Terminal for potential equalization line
- 8 Cable entry

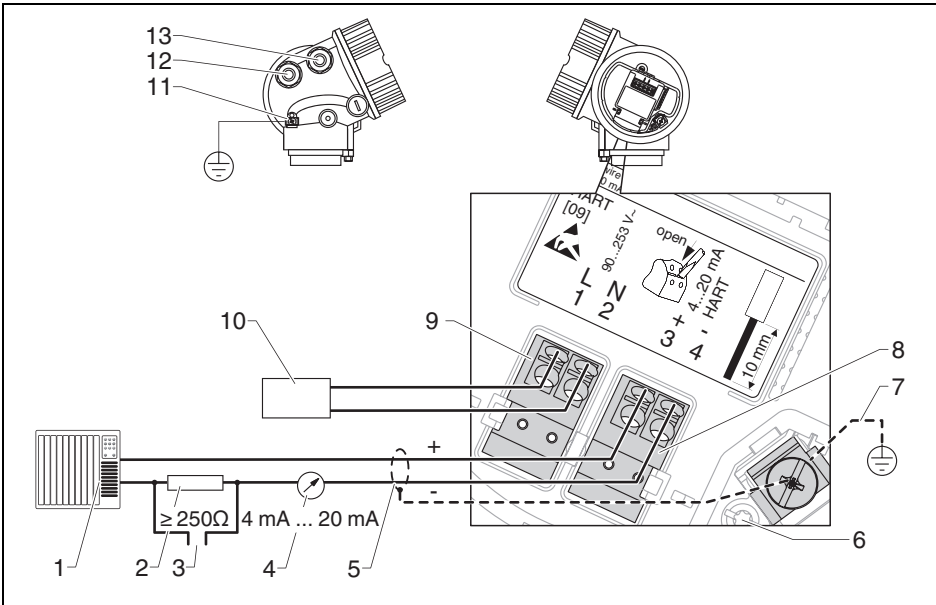
Release date: 2023-09-11 Date of issue: 2023-09-11 Filename: 264919_eng.pdf

2-wire, 4 mA ... 20 mA HART, 4 mA ... 20 mA (version IE)



- 1 Connection current output 2
- 2 Connection current output 1
- 3 Supply voltage for current output 1 (e. g. KCD2-STC-Ex1); observe terminal voltage
- 4 Cable screen; observe cable specification
- 5 HART communication resistor ($\geq 250 \Omega$); observe maximum load
- 6 Connection for optional field communicator
- 7 Analog display device; observe maximum load
- 8 Analog display device; observe maximum load
- 9 Supply voltage for current output 2 (e. g. KCD2-STC-Ex1); observe terminal voltage
- 10 Current output 2: terminals 3 and 4
- 11 Terminal for the potential equalization line
- 12 Cable entry for current output 1
- 13 Cable entry for current output 2

4-wire: 4 ... 20 mA HART (90 ... 253 V AC) (version AH)

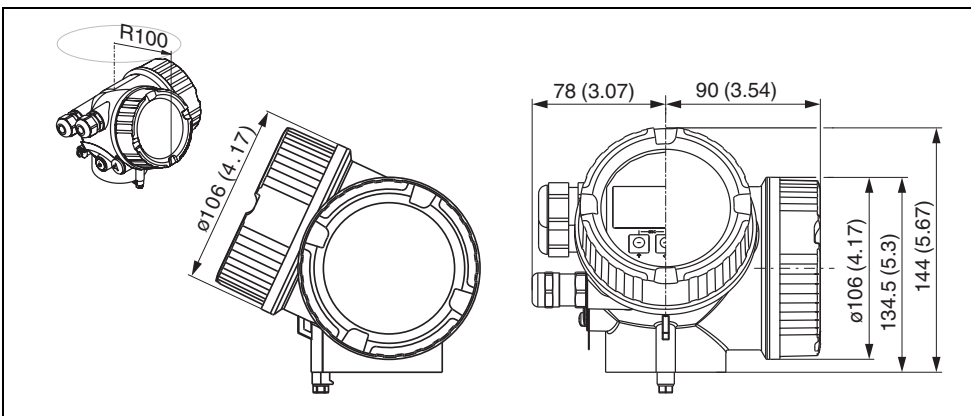


- 1 Evaluation unit, e. g. PLC
- 2 HART communication resistor ($\geq 250 \Omega$): observe maximum load
- 3 Connection for optional filed communicator
- 4 Analog display device: observe maximum load
- 5 Signal cable including screening (if required), observe cable specification
- 6 Protective connection; do not disconnect!
- 7 Protective earth, observe cable specification
- 8 4 mA ... 20 mA HART (active): terminals 3 and 4
- 9 Supply voltage: terminals 1 and 2
- 10 Supply voltage: observe terminal voltage, observe cable specification
- 11 Terminal for potential equalization
- 12 Cable entry for signal line
- 13 Cable entry for power supply

Dimensions

Housing GT19, plastics PBT (version A1)

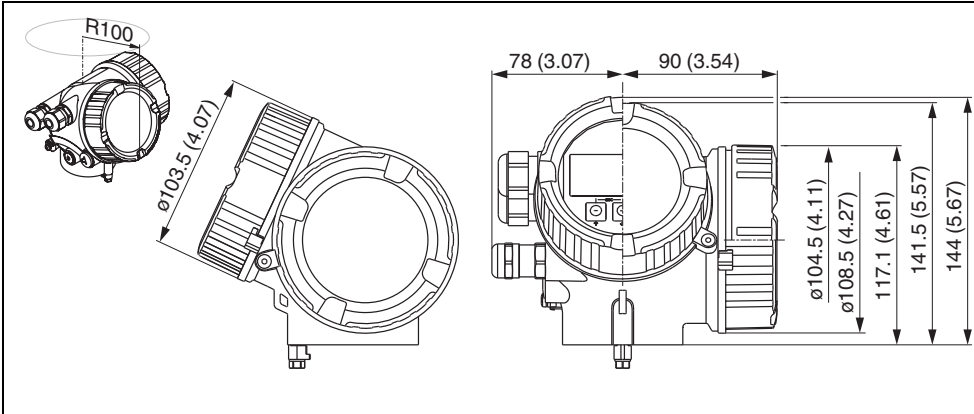
Dimensions in mm (in)



Release date: 2023-09-11 Date of issue: 2023-09-11 Filename: 264919_eng.pdf

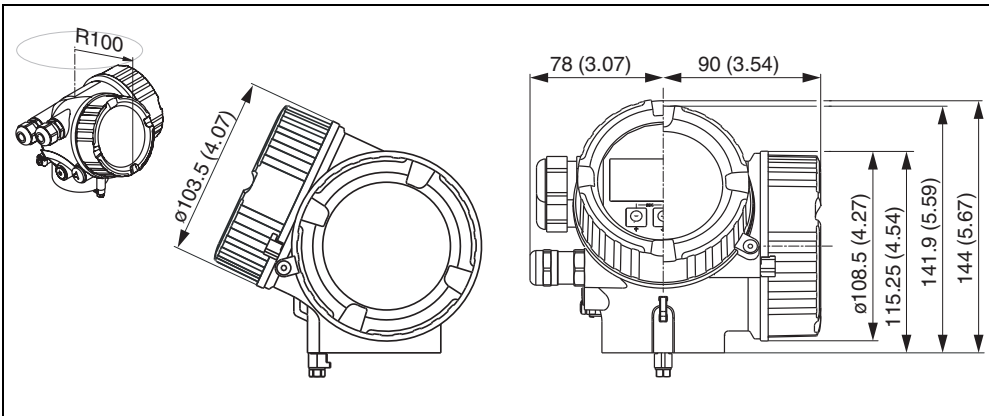
Housing GT20, alu coated (version A2)

Dimensions in mm (in)



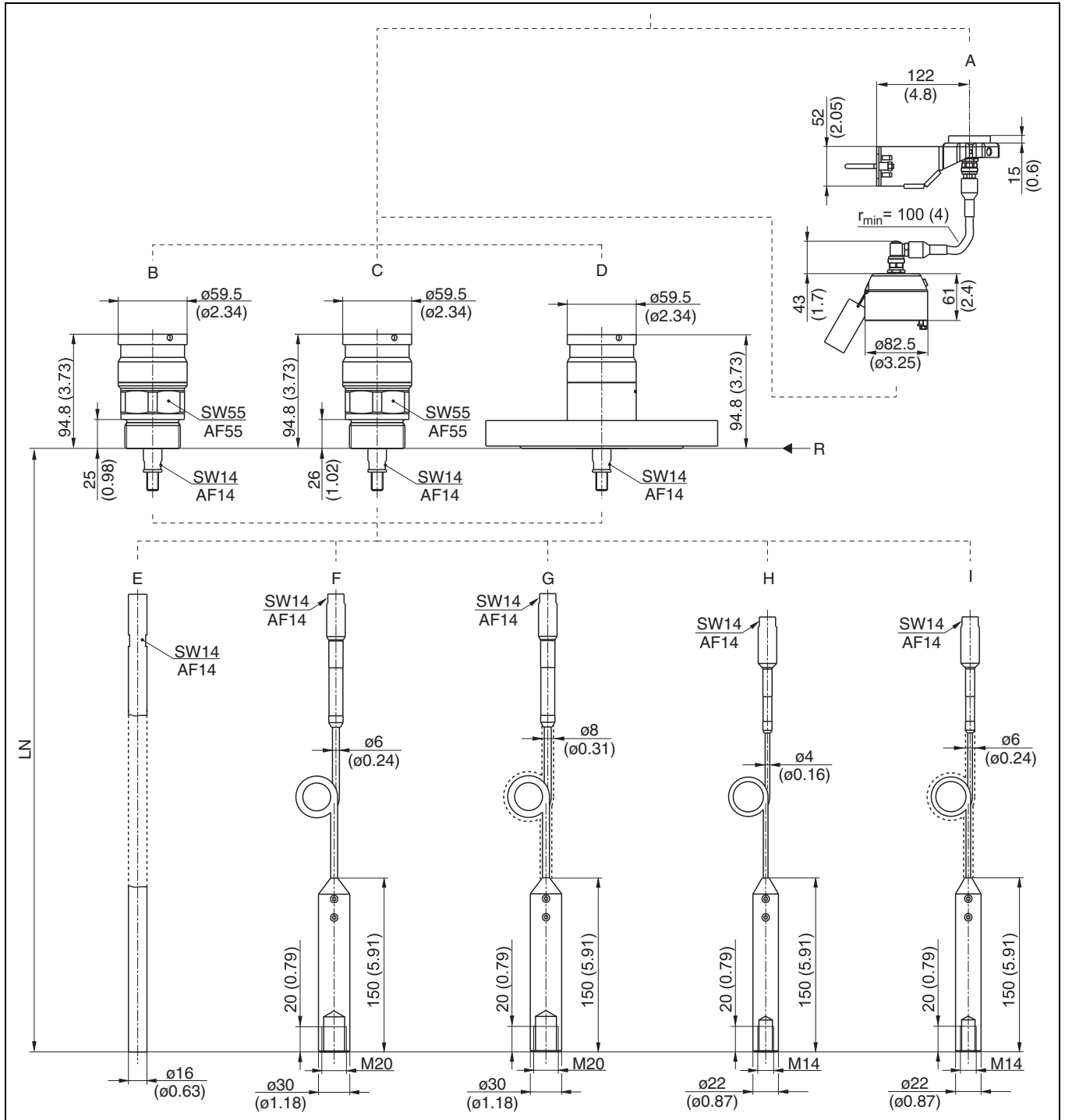
Housing GT18, stainless steel (version A3)

Dimensions in mm (in)



Process connections and probes

Dimensions in mm (in)



- A** Mounting bracket for probe design "Sensor remote" (feature "Probe design")
- B** Thread ISO228 G1-1/2 (feature "Process connection")
- C** Thread ANSI MNPT1-1/2 (feature "Process connection")
- D** Flange ANSI B16.5, EN 1092-1, JIS B2220 (feature "Process connection")
- E** Rod probe 16 mm (feature "Probe")
- F** Rope probe 6 mm or 1/4 in (feature "Probe")
- G** Rope probe 8 mm or 1/3 in, PA > Steel (feature "Probe")
- H** Rope probe 4 mm or 1/6 in (feature "Probe")
- I** Rope probe 6 mm or 1/4 in, PA > Steel (feature "Probe")
- LN** Length of probe
- R** Reference point of the measurement

Release date: 2023-09-11 Date of issue: 2023-09-11 Filename: 264919_eng.pdf

Refer to "General Notes Relating to Pepperl+Fuchs Product Information".

Pepperl+Fuchs Group
www.pepperl-fuchs.com

USA: +1 330 486 0002
pa-info@us.pepperl-fuchs.com

Germany: +49 621 776 2222
pa-info@de.pepperl-fuchs.com

Singapore: +65 6779 9091
pa-info@sg.pepperl-fuchs.com

pepperl+fuchs