

# Y-Splitter

## V15S-YEE-V15/V15

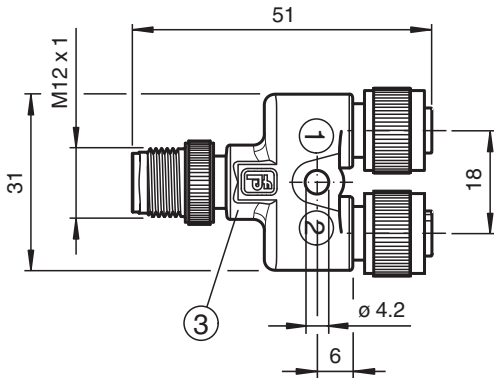


- Suitable for DeviceNet and CANopen
- Parallel distributor for bus connection (all pins bridged)
- Degree of protection IP67
- Knurled nut suitable for tool assembly
- Immunity to vibration, with mechanical latching

Y-Splitter M12 plug to 2x M12 socket 5-pin A-coded



### Dimensions



### Technical Data

#### General specifications

<b>Connector 1</b>	
Connection	socket
Construction type	M12
Style	straight
Locking	screw connection
Number of pins	5
Coding	A-coded
<b>Connector 2</b>	
Connection	socket
Construction type	M12
Style	straight
Locking	screw connection
Number of pins	5
Coding	A-coded
<b>Connector 3</b>	
Connection	plug
Construction type	M12
Style	straight
Locking	screw connection

Release date: 2024-03-22 Date of issue: 2024-03-22 Filename: 265222\_eng.pdf

Refer to "General Notes Relating to Pepperl+Fuchs Product Information".

Pepperl+Fuchs Group  
www.pepperl-fuchs.com

USA: +1 330 486 0001  
fa-info@us.pepperl-fuchs.com

Germany: +49 621 776 1111  
fa-info@de.pepperl-fuchs.com

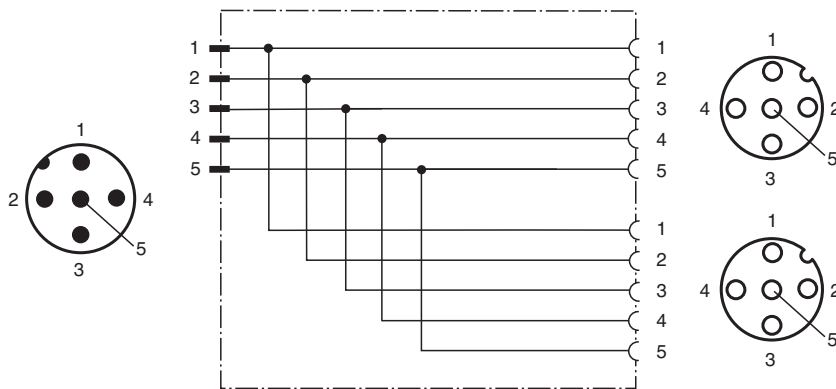
Singapore: +65 6779 9091  
fa-info@sg.pepperl-fuchs.com

**PF** PEPPERL+FUCHS

**Technical Data**

Number of pins		5
Coding		A-coded
<b>Electrical specifications</b>		
Operating voltage	U <sub>B</sub>	max. 48 V AC / 60 V DC
Operating current	I <sub>B</sub>	4 A
<b>Conformity</b>		
Degree of protection		EN 60529
Plug connection		connector M12 x 1 : IEC 61076-2-101
<b>Ambient conditions</b>		
Ambient temperature		-25 ... 90 °C (-13 ... 194 °F)
Pollution degree		3
<b>Mechanical specifications</b>		
Plug connector		
Tightening torque		0.6 Nm
Loosening protection		available
Tool installation		straight knurling
Mating cycles		min. 100
Degree of protection		IP65/IP67
Dimensions		
Width		31 mm
Length		51 mm
Mounting		Mounting hole for M4 screw
<b>Material</b>		
Plug connector		
Screw connection		Zinc diecast, nickel-plated
Body		TPU
Contact surface		Ni/Au
Flammability		V-2

**Connection Assignment**



Release date: 2024-03-22 Date of issue: 2024-03-22 Filename: 265222\_eng.pdf