

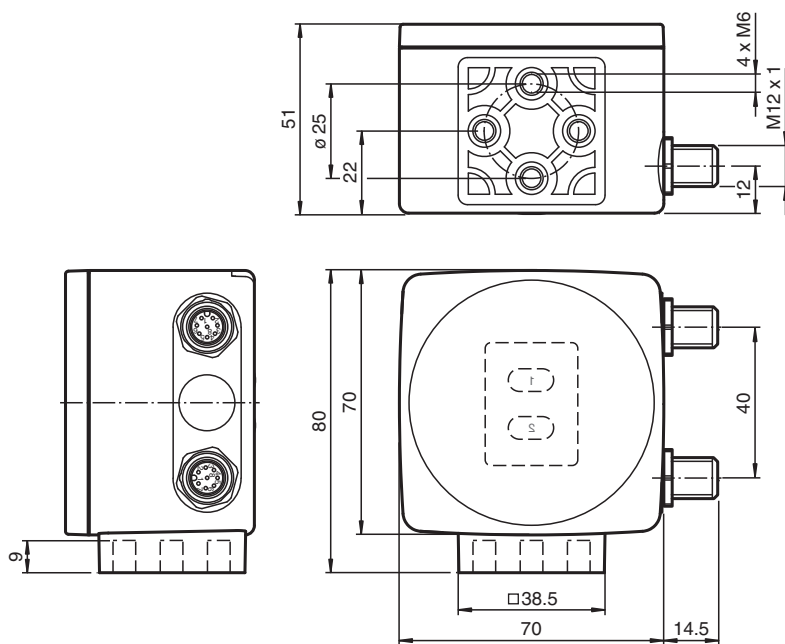
Optical reading head PCV50-F200-SSI-V19

- SSI interface
- Non-contact positioning on Data Matrix code tape
- Mechanically rugged: no wearing parts, long operating life, maintenance-free
- High resolution and precise positioning, especially for facilities with curves and switch points as well as inclines and declines.
- Travel ranges up to 10 km, in X and Y direction

Read head for incident light positioning system



Dimensions



Technical Data

General specifications

Passage speed	v	≤ 12.5 m/s
Measuring range		max. 10000 m
Light type		Integrated LED lightning (red)
Read distance		50 mm
Depth of focus		± 25 mm
Reading field		60 mm x 40 mm
Ambient light limit		100000 Lux
Resolution		± 0.1 mm

Nominal ratings

Release date: 2024-02-07 Date of issue: 2024-02-07 Filename: 265943_eng.pdf

Refer to "General Notes Relating to Pepperl+Fuchs Product Information".

Pepperl+Fuchs Group
www.pepperl-fuchs.com

USA: +1 330 486 0001
fa-info@us.pepperl-fuchs.com

Germany: +49 621 776 1111
fa-info@de.pepperl-fuchs.com

Singapore: +65 6779 9091
fa-info@sg.pepperl-fuchs.com

PF PEPPERL+FUCHS

Technical Data

Camera			
Type	CMOS , Global shutter		
Processor			
Clock pulse frequency	600 MHz		
Speed of computation	4800 MIPS		
Digital resolution	32 Bit		
Functional safety related parameters			
MTTF _d	93 a		
Mission Time (T _M)	10 a		
Diagnostic Coverage (DC)	0 %		
Indicators/operating means			
LED indication	7 LEDs (communication, alignment aid, status information)		
Electrical specifications			
Operating voltage	U _B	15 ... 30 V DC , PELV	
No-load supply current	I ₀	max. 200 mA	
Power consumption	P ₀	3 W	
Interface 1			
Interface type	SSI interface		
Data output code	Gray code, binary code , programmable		
Monoflop time	T _m = 10 μs		
Clock frequency	100 ... 1000 kHz		
Query cycle time	≥ 3 ms		
Pause time	t _p	≥ 20 μs double request possible, if t _p ≤ 10 μs	
Interface 2			
Interface type	USB (serial comport)		
Protocol	8E1		
Transfer rate	38.4 ... 460.8 kBit/s		
Input			
Input type	1 to 2 functional inputs , programmable		
Input impedance	26 kΩ		
Output			
Output type	1 to 2 switch outputs , PNP , programmable , short-circuit protected		
Switching voltage	Operating voltage		
Switching current	150 mA each output		
Standard conformity			
Emitted interference	EN 61000-6-4:2007+A1:2011		
Noise immunity	EN 61000-6-2:2005		
Shock resistance	EN 60068-2-27:2009		
Vibration resistance	EN 60068-2-6:2008		
Approvals and certificates			
CCC approval	CCC approval / marking not required for products rated ≤36 V		
Ambient conditions			
Operating temperature	0 ... 60 °C (32 ... 140 °F) , -20 ... 60 °C (-4 ... 140 °F) (noncondensing; prevent icing on the lens!)		
Storage temperature	-20 ... 85 °C (-4 ... 185 °F)		
Relative humidity	90 % , noncondensing		
Mechanical specifications			
Connection type	8-pin, M12 x 1 connector		
Degree of protection	IP67		
Material			
Housing	PC/ABS		
Mass	approx. 160 g		
Dimensions			

Release date: 2024-02-07 Date of issue: 2024-02-07 Filename: 265943_eng.pdf

Refer to "General Notes Relating to Pepperl+Fuchs Product Information".

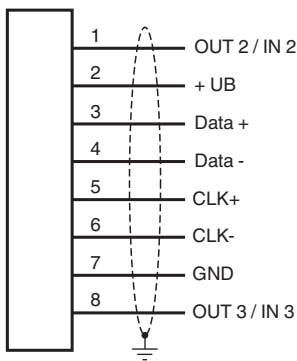
Pepperl+Fuchs Group
www.pepperl-fuchs.comUSA: +1 330 486 0001
fa-info@us.pepperl-fuchs.comGermany: +49 621 776 1111
fa-info@de.pepperl-fuchs.comSingapore: +65 6779 9091
fa-info@sg.pepperl-fuchs.com

PEPPERL+FUCHS

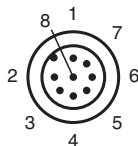
Technical Data

Height	70 mm
Width	70 mm
Depth	50 mm
Factory settings	
X resolution (protocol)	1 mm
Y resolution (protocol)	1 mm
Code tape orientation	0 °
"No Position" X value	0
"No Position" Y value	0
"No Position" speed value	127
Overspeed threshold (protocol)	12.5 m/s
X value in case of error	Error number
Y value in case of error	Error number
Speed value in case of error	Error number
SSI coding	digital
Code tape width	two-rowed
X position offset	0 mm
Function input/output	inactive
Data content	X position , status

Connection



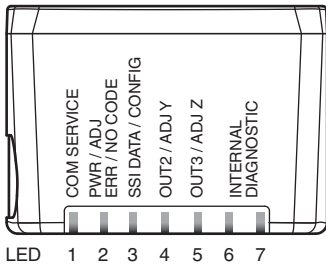
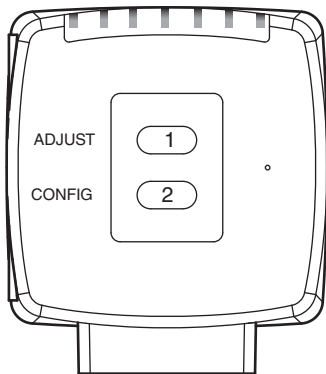
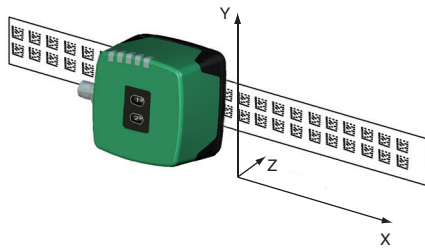
Connection Assignment



Release date: 2024-02-07 Date of issue: 2024-02-07 Filename: 265943_eng.pdf

Characteristic Curve

Coordinates



Release date: 2024-02-07 Date of issue: 2024-02-07 Filename: 265943_eng.pdf

Refer to "General Notes Relating to Pepperl+Fuchs Product Information".

Pepperl+Fuchs Group
www.pepperl-fuchs.com

USA: +1 330 486 0001
fa-info@us.pepperl-fuchs.com

Germany: +49 621 776 1111
fa-info@de.pepperl-fuchs.com

Singapore: +65 6779 9091
fa-info@sg.pepperl-fuchs.com

Additional Information

General

The PCV... reading head is part of the positioning system in the method for measurement by Pepperl+Fuchs. It consists of a camera module and an integrated illumination unit among other things. The reading head detects position marks, which are put on an adhesive code band in the form of Data Matrix code. The mounting of the code band is as a rule stationary on a firm part of the plant (elevator shaft, overhead conveyor mounting rails...); that of the reading head is parallel on the moving "vehicle" (elevator car, overhead conveyor chassis...).

Mounting and commissioning

Mount the reading head such that its optical surface captures the optimal read distance to the code band (see Technical Data). The stability of the mounting and the guidance of the vehicle must be provided such that the depth of field of the reading head is not closed during operation. All reading heads can be optimally customized by parameterization for specific requirements.

Displays and Controls

The PCV... reading head allows visual function check and fast diagnosis with 7 indicator LEDs. The reading head has 2 buttons on the reverse of the device to activate the alignment aid and parameterization mode.

LEDs

LED	Color	Label	Meaning
1	Yellow	COM	USB interface, communication active
2	Green/red	PWR/ADJ ERR/NO CODE	Code recognized/not recognized, Error
3	Yellow	SSI DATA/CONFIG	Data flow on SSI interface / configuration
4	Yellow	OUT2/ADJ Y	Output 2, Alignment aid Y
5	Yellow	OUT3/ADJ Z	Output 3, Alignment aid Z
6,7	red/green/yellow	INTERNAL DIAGNOSTICS	Internal diagnostics

Data protocol

	1	2	3	4	5	6	7	8	9	10	11	12	13	14	15	16	17	18	19	20	21	22	23	24	25
Data	XP21	XP20	XP19	XP18	XP17	XP16	XP15	XP14	XP13	XP12	XP11	XP10	XP9	XP8	XP7	XP6	XP5	XP4	XP3	XP2	XP1	XP0	Out	Wrn	Err
	MSB																					LSB		Status bits	

Position data is coded in XP0 ... XP21 (MSB first)

Meaning of the status bits

Out	Err	Wrn	Meaning
X	X	1	reserved
X	1	X	Error, error code in XP0 ... XP21
1	X	X	No codes in read window (XP0 ... XP21 = 0)

Error codes

Error code	Meaning
1	reverse reading head orientation (180° contorted)
2	position error: unsecure position codes in reading window
>1000	internal error

External parameterization

For external parameterization you require the parameterization code as Data Matrix with the desired reading head parameters. Data Matrix code cards for step-by-step external parameterization are printed in the reading heads operating instructions.

Parameterization is only possible within 10 minutes of switching on the reading head. If a button is pressed after 10 minutes subsequent to switching on, there is visual signaling via the LEDs (LED1, yellow/LED2, red/LED3, yellow/LED4, yellow/LED5, yellow flash for 2 seconds)

- The switchover from normal operation to parameterization mode is via button 2 on the reverse of the reading head. Button 2 must be pressed for more than 2 seconds. LED3 now flashes.

Note:Parameterization mode automatically ends after 1 minute of inactivity. The reading head returns to normal operation and works with unchanged settings.

- Place the parameterization code in the view of the camera module. After recognition of the parameterization code, the green LED2 lights up for 1s. In the event of an invalid parameterization code, the red LED2 lights up for 2 s.
- A short press on button 2 ends the parameterization mode and the changed parameters are not stored volatile in the reading head.

Alignment aid for the Y and Z coordinates

The activation of the alignment aid is only possible within 10 minutes of switching on the reading head. The switchover from normal operation to "alignment aid operating mode is via button 1 on the reverse of the reading head.

- Press the button 1 for longer than 2 s. LED2 flashes green for a recognized code band. LED2 flashes red for an unrecognized code band.
- Z coordinate:** If the distance of the camera to the code band too small, the yellow LED5 lights up. If the distance of the camera to the code band too large, the yellow LED5 lights up. Within the target range, the yellow LED5 flashes at the same time as the green LED2.
- Y coordinate:** If the optical axis of the camera is too deep in relation to the middle of the code band, the yellow LED4 lights up. If the optical axis is too high, the yellow LED4 extinguishes. Within the target range, the yellow LED4 flashes at the same time as the green LED2.
- A short press on button 1 ends the alignment aid and the reading head changes to normal operation.

Release date: 2024-02-07 Date of issue: 2024-02-07 Filename: 265943_eng.pdf