



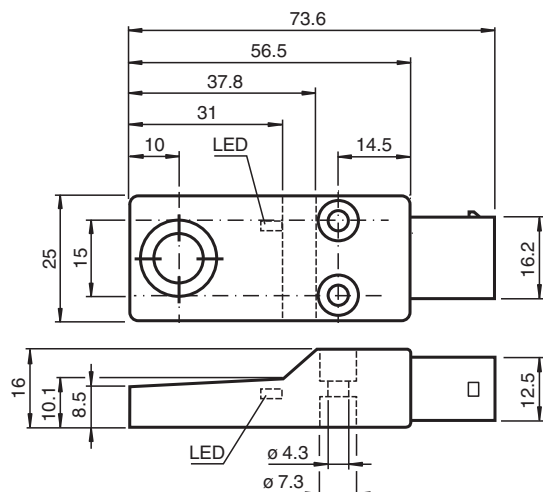
# Inductive sensor

## NBB8-F33X-E3-AMP

- 8 mm flush
- 3-wire DC
- Amp connector



### Dimensions



### Technical Data

#### General specifications

|                              |       |                      |
|------------------------------|-------|----------------------|
| Switching function           |       | Normally closed (NC) |
| Output type                  |       | PNP                  |
| Rated operating distance     | $s_n$ | 8 mm                 |
| Installation                 |       | flush                |
| Output polarity              |       | DC                   |
| Assured operating distance   | $s_a$ | 0 ... 6.5 mm         |
| Reduction factor $r_{Al}$    |       | 0.3                  |
| Reduction factor $r_{Cu}$    |       | 0.2                  |
| Reduction factor $r_{304}$   |       | 0.6                  |
| Reduction factor $r_{Brass}$ |       | 0.35                 |
| Output type                  |       | 3-wire               |

#### Nominal ratings

|                             |       |                            |
|-----------------------------|-------|----------------------------|
| Operating voltage           | $U_B$ | 10 ... 60 V DC             |
| Switching frequency         | $f$   | 0 ... 250 Hz               |
| Hysteresis                  | $H$   | typ. 5 %                   |
| Reverse polarity protection |       | reverse polarity protected |

Release date: 2024-01-02 Date of issue: 2024-01-02 Filename: 266706\_eng.pdf

Refer to "General Notes Relating to Pepperl+Fuchs Product Information".

Pepperl+Fuchs Group  
www.pepperl-fuchs.com

USA: +1 330 486 0001  
fa-info@us.pepperl-fuchs.com

Germany: +49 621 776 1111  
fa-info@de.pepperl-fuchs.com

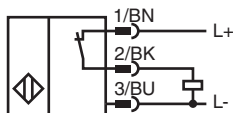
Singapore: +65 6779 9091  
fa-info@sg.pepperl-fuchs.com

PEPPERL+FUCHS

## Technical Data

|   |       |                                |
|---|-------|--------------------------------|
| Short-circuit protection                        |       | pulsing                        |
| Voltage drop                                    | $U_d$ | $\leq 2.5$ V                   |
| Operating current                               | $I_L$ | 0 ... 200 mA                   |
| Off-state current                               | $I_r$ | 0 ... 0.1 mA                   |
| No-load supply current                          | $I_0$ | $\leq 10$ mA                   |
| Time delay before availability                  | $t_v$ | $\leq 50$ ms                   |
| Switching state indicator                       |       | LED yellow                     |
| <b>Functional safety related parameters</b>     |       |                                |
| MTTF <sub>d</sub>                               |       | 1937 a                         |
| Mission Time (T <sub>M</sub> )                  |       | 20 a                           |
| Diagnostic Coverage (DC)                        |       | 0 %                            |
| <b>Compliance with standards and directives</b> |       |                                |
| Standard conformity                             |       |                                |
| Standards                                       |       | EN IEC 60947-5-2               |
| <b>Ambient conditions</b>                       |       |                                |
| Ambient temperature                             |       | -35 ... 70 °C (-31 ... 158 °F) |
| Storage temperature                             |       | -40 ... 85 °C (-40 ... 185 °F) |
| <b>Mechanical specifications</b>                |       |                                |
| Connection type                                 |       | Connector plug , AMP connector |
| Housing material                                |       | PBT , black                    |
| Degree of protection                            |       | IP67                           |
| Dimensions                                      |       |                                |
| Height  |       | 10 mm                          |
| Width   |       | 25 mm                          |
| Length  |       | 73 mm                          |
| Note  |       | Tightening torque: 5 Nm        |

## Connection



## Connection Assignment

