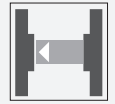




## Safety edge PSE4-SL-02

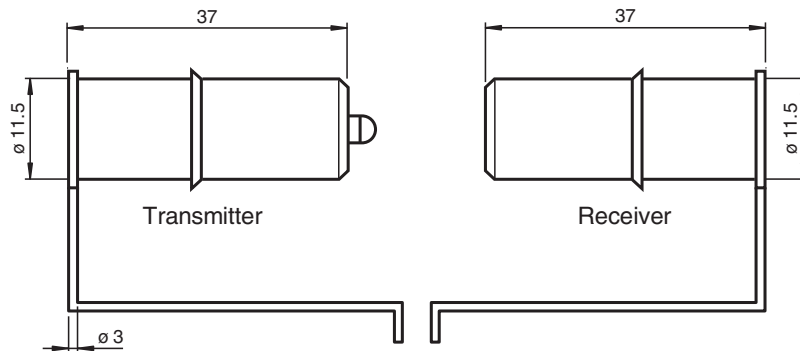


- Safety thru-beam sensor
- Evaluation via safety control unit PSE4-SC-01
- Modulated infrared light
- For mounting in sensor strip PSE4-RUB and -ROI
- No additional mounting materials required
- Component of PSE4 modular system

Safety photoelectric sensor for the PSE4 series



### Dimensions



### Technical Data

#### General specifications

Effective detection range	0.4 ... 10 m
Number of protective field beams	1
Light source	LED
Light type	modulated infrared light

Release date: 2020-10-06 Date of issue: 2020-10-06 Filename: 267081\_eng.pdf

Refer to "General Notes Relating to Pepperl+Fuchs Product Information".

Pepperl+Fuchs Group  
www.pepperl-fuchs.com

USA: +1 330 486 0001  
fa-info@us.pepperl-fuchs.com

Germany: +49 621 776 1111  
fa-info@de.pepperl-fuchs.com

Singapore: +65 6779 9091  
fa-info@sg.pepperl-fuchs.com

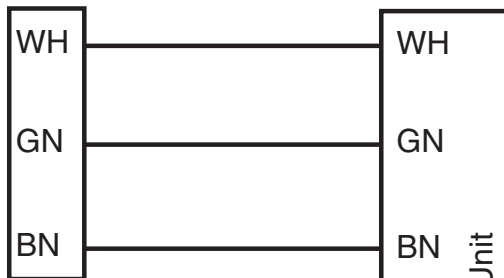
**PF** PEPPERL+FUCHS

## Technical Data

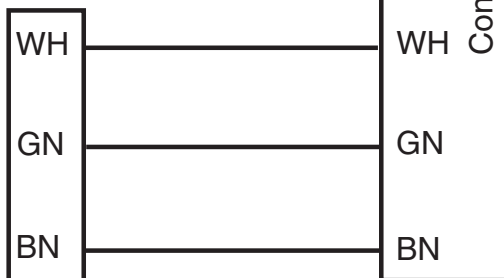
<b>Functional safety related parameters</b>		
Performance level (PL)		PL e
Category		Cat. 4
Mission Time (T <sub>M</sub> )		20 a
<b>Electrical specifications</b>		
Operating voltage	U <sub>B</sub>	Power supply via control unit
<b>Conformity</b>		
Functional safety		ISO 13849-1
Product standard		EN 12978 ; ISO 13856-2
<b>Approvals and certificates</b>		
UL approval		cULus Listed File no: NRNT.E344450
TÜV approval		TÜV Rheinland 968/M 301.00/11
<b>Ambient conditions</b>		
Ambient temperature		5 ... 55 °C (41 ... 131 °F)
<b>Mechanical specifications</b>		
Degree of protection		IP68
Connection		fixed cable Emitter: 10,5 m Receiver: 10,5 m
Mech. capacity		500 N
<b>Material</b>		
Housing		Polyethylene (PE) ; Emitter: gray / Receiver: black
Cable		PUR
Mass		Per 150 g

## Connection

Receiver:



Transmitter:



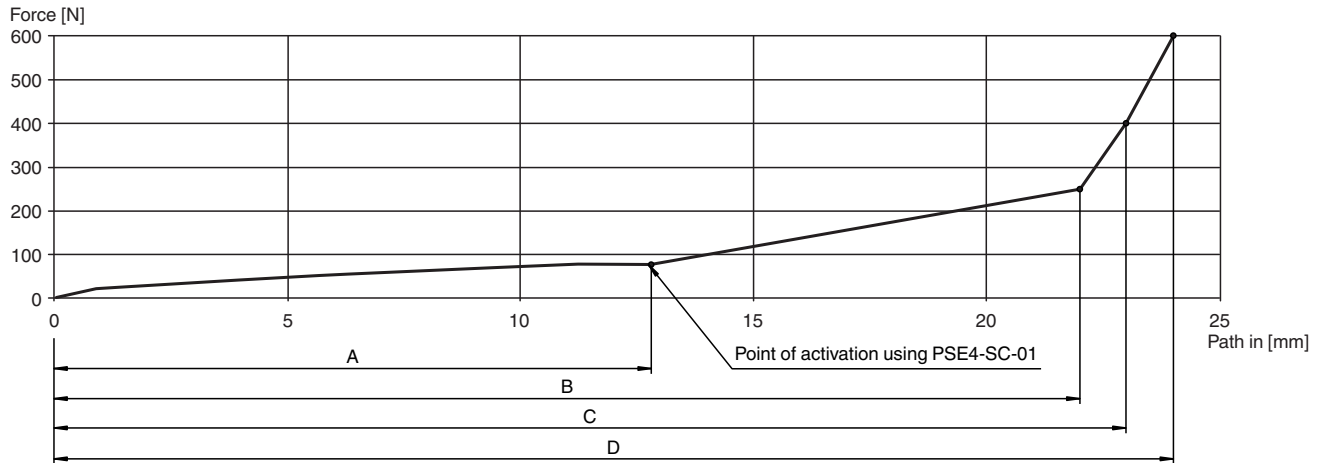
Release date: 2020-10-06 Date of issue: 2020-10-06 Filename: 267081\_eng.pdf

Refer to "General Notes Relating to Pepperl+Fuchs Product Information".

**Characteristic Curve**

**Force path diagram**

Measurement parameters: T = 23 °C, mounting position B as per EN 1760-2, measuring location C (EN 1760-2), v = 100 mm/s up to A, v = 10 mm/s from A.



Force path diagram representing the deformation of the sensor strip under force

Deformation under force with control unit PSE4-SC-01			
		Deformation [mm]	Force [N]
A	Resistance	12.8	80
B		22.0	250
C		23.0	400
D		24.0	600

Release date: 2020-10-06 Date of issue: 2020-10-06 Filename: 267081\_eng.pdf

**Notes**

The modular PSE system comprises the following components:

**PSE4-SL safety thru-beam sensors:**

The plug electronics are fully encapsulated in the housing to achieve a high level of resistance to environmental influences such as water, dust, and moisture. Degree of protection IP68 is achieved.

**Rubber profiles PSE4-RUB and PSE4-ROI:**

The rubber profile is designed as a double-chamber profile. The emitter and receiver are inserted in the round hollow chamber at the top. When the profile is actuated, the optical channel is interrupted and the enable circuits on the control unit open. When actuated near the end, the emitter and/or receiver dip into the lower chamber. This ensures that the beam of light is broken. However, the forces required are high, meaning the end areas are inactive areas in line with EN 1760-2.

**PSE safety control units:**

Controller for the emitter/receiver system.

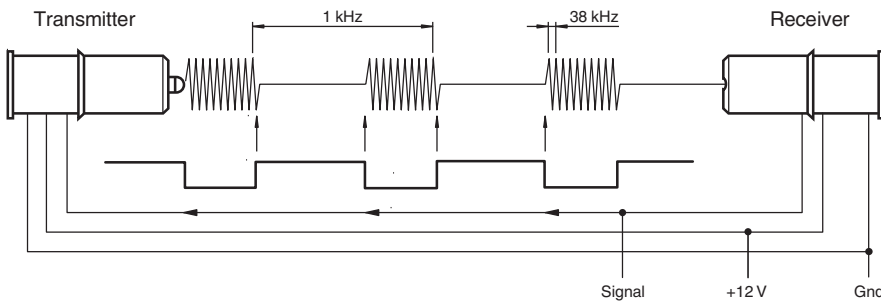
**PSE4-ALU aluminum rails:**

The aluminum rails are available in various lengths and can be used as an option.

**Functional Principle**

The emitter transmits pulses of infrared light, which are detected by the receiver. When the emitter light is detected, the receiver turns off the emitter via a control input. The "luminous flux" stops. The receiver also detects this status and the emitter is then switched on again after a specified time. This coupling produces a dynamic signal that is conveyed, in principle, to a charge pump. The pump's charge state is analyzed in the evaluation.

Any errors in the emitter/receiver system affect the optical or electrical signal, which results in the absence of a dynamic signal.



**Note:**

Safety edges must be fully installed to comply with the EC-Type Examination Certificate for the PSE4 series.

**Possible combinations**

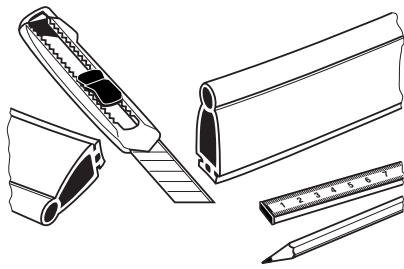
	PSE4-ALU-*	PSE4-ALU-3009-*	PSE4-ROI-*	PSE4-RUB-*	PSE4-RUB-30EPDM58-*	PSE2-SC-*	PSE4-SC-*	PSE4-SL-*
PSE4-ALU-*			X	X	-	X	X	X
PSE4-ALU-3009-*			-	-	X	X	X	X
PSE4-ROI-*	X	-				X	X	X
PSE4-RUB-*	X	-				X	X	X
PSE4-RUB-30EPDM58-*	-	X				X	X	X
PSE2-SC-*	X	X	X	X	X			X
PSE4-SC-*	X	X	X	X	X			X
PSE4-SL-*	X	X	X	X	X	X	X	

**Mounting**

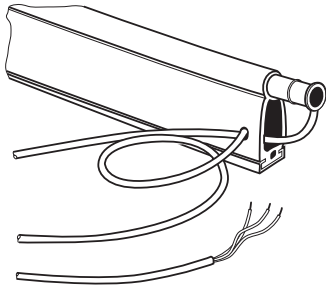
**Mounting or replacing the sensors**

Release date: 2020-10-06 Date of issue: 2020-10-06 Filename: 267081\_eng.pdf

Refer to "General Notes Relating to Pepperl+Fuchs Product Information".



Sensor strip PSE4-RUB-XX or PSE4-ROI-XX and accompanying aluminum mounting strip  
Cut PSE4-ALU-XX to the required length.



Slide the emitter and receiver into the upper chamber.  
Guide the emitter cable through the lower chamber to the receiver side.

## Accessories

Other suitable accessories can be found at [www.pepperl-fuchs.com](http://www.pepperl-fuchs.com)

## Function

In its entirety, the PSE4 safety edge system consists of the control interface, sensors, a rubber sensor strip, and an optional aluminum mounting strip.

The system can be used within a temperature range of 5 °C to 55 °C.

The control interface analyzes the signal from the sensors and is designed to be installed in a switch cabinet.

The safety contact of the control interface is released by actuating the safety edge.

The system as a whole can be used in applications up to Cat. 4/PL e as defined in EN ISO 13849-1.