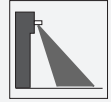


# Accessory DGE DoorScan Cable Adapter



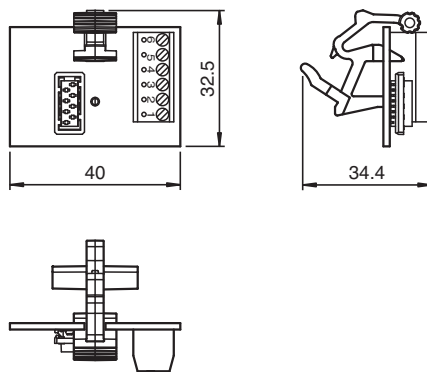
- Cable adapter for configurable DoorScan presence sensor
- Cable adapter for extending the ribbon cable
- Tool-free module mounting using snap-in mechanism

Adapter module for installation in the DoorScan® sensor profile, multifunction interface module

## Function

The DoorScan cable adapter is used to connect ribbon cable segments of a DoorScan system. It is possible to connect a sensor system with two separate profiles using a previously fitted cable. One adapter is used to connect cables for one (ribbon) side.

## Dimensions



## Technical Data

### Ambient conditions

Ambient temperature -30 ... 60 °C (-22 ... 140 °F)

### Mechanical specifications

Degree of protection IP54 (iwhen mounted)

Connection socket 8-pin

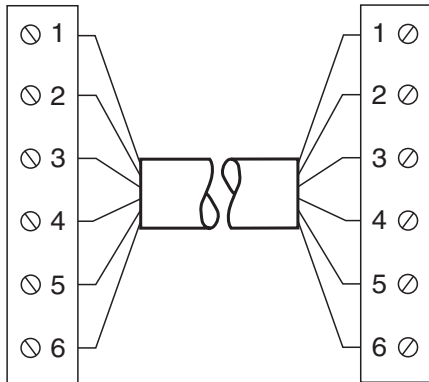
Mass approx. 18 g

### General information

Scope of delivery 2 x Adapter

## Connection Assignment

### Connection Terminals



Release date: 2020-10-08 Date of issue: 2020-10-08 Filename: 273415\_eng.pdf

Refer to "General Notes Relating to Pepperl+Fuchs Product Information".

Pepperl+Fuchs Group  
www.pepperl-fuchs.com

USA: +1 330 486 0001  
fa-info@us.pepperl-fuchs.com

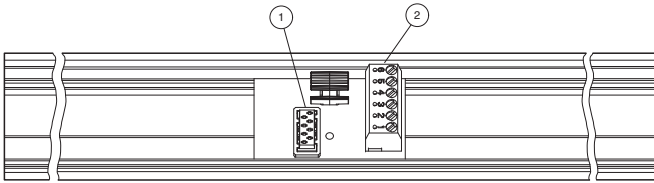
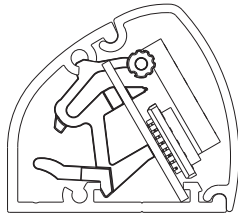
Germany: +49 621 776 1111  
fa-info@de.pepperl-fuchs.com

Singapore: +65 6779 9091  
fa-info@sg.pepperl-fuchs.com

 **PEPPERL+FUCHS**

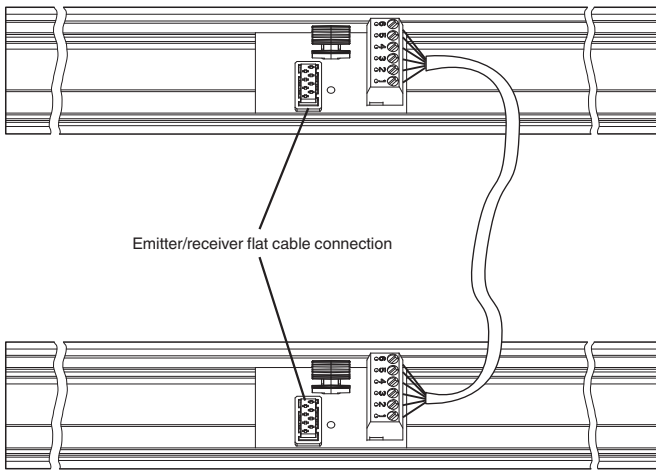
**Mounting**

**Board Mounting**



1 PCB socket, emitter/receiver flat cable connection      2 Terminal for customer double-ended cordset

**Cable Mounting**



Use a cable with at least six strands.  
 The core cross-section can be 0.128 mm<sup>2</sup> ... 1.0 mm<sup>2</sup> (~AWG 18).  
 Use cable with a maximum length of 2 m.  
 Cover flexible stranded wires with wire end ferrules.

Release date: 2020-10-08 Date of issue: 2020-10-08 Filename: 273415\_eng.pdf