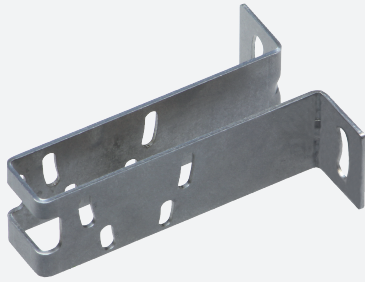


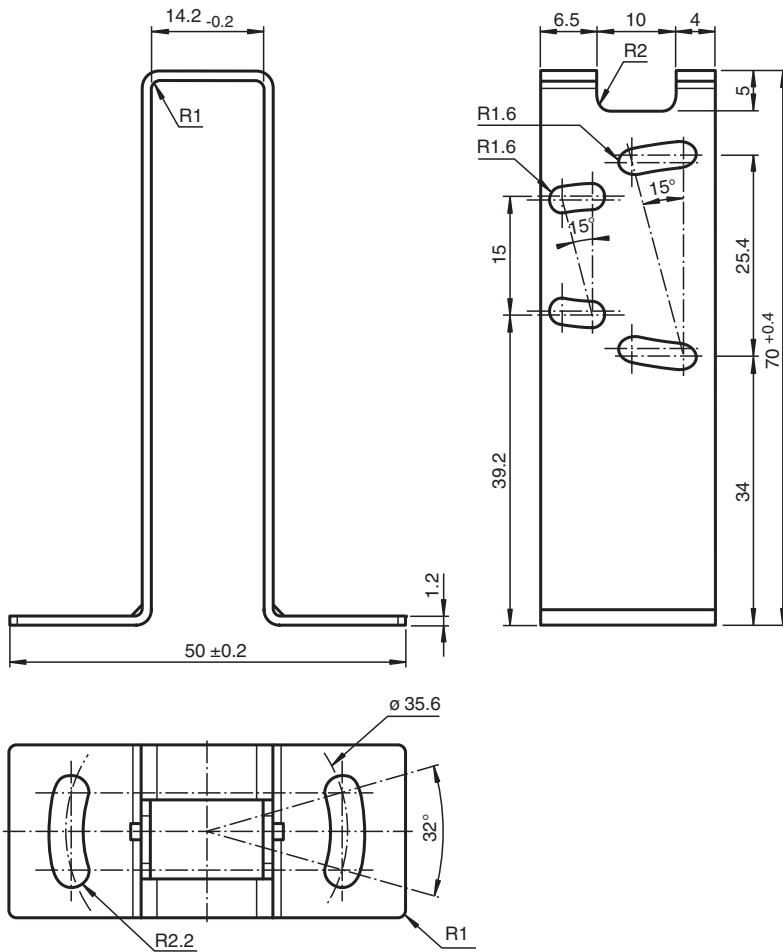
Mounting aid OMH-R10X-02



- Mounting bracket
- Simple and fast mounting

Mounting bracket

Dimensions



Release date: 2020-04-03 Date of issue: 2020-06-30 Filename: 273882_eng.pdf

Technical Data

Mechanical specifications

Material	Stainless steel
----------	-----------------

Refer to "General Notes Relating to Pepperl+Fuchs Product Information".

Pepperl+Fuchs Group
www.pepperl-fuchs.com

USA: +1 330 486 0001
fa-info@us.pepperl-fuchs.com

Germany: +49 621 776 1111
fa-info@de.pepperl-fuchs.com

Singapore: +65 6779 9091
fa-info@sg.pepperl-fuchs.com

pf PEPPERL+FUCHS

Technical Data

Mass	approx. 32 g
Suitable series	
Series	R100 R101

Release date: 2020-04-03 Date of issue: 2020-06-30 Filename: 273882_eng.pdf

Refer to "General Notes Relating to Pepperl+Fuchs Product Information".

Pepperl+Fuchs Group
www.pepperl-fuchs.comUSA: +1 330 486 0001
fa-info@us.pepperl-fuchs.comGermany: +49 621 776 1111
fa-info@de.pepperl-fuchs.comSingapore: +65 6779 9091
fa-info@sg.pepperl-fuchs.com **PEPPERL+FUCHS**