

Y-Splitter

V15S-Y24B-V15/V15

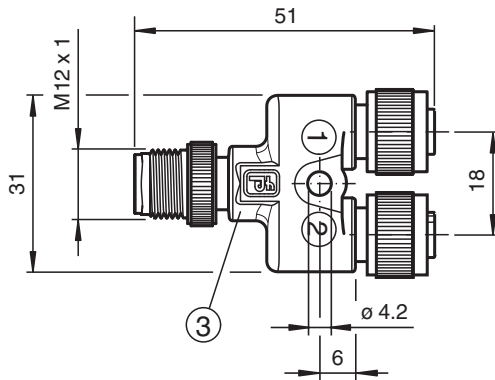


- Easy merging of two signals at a single M12 slot
- Suitable for normally open/closed
- Degree of protection IP67
- Free of paint wetting interfering substances
- Pins 2 and 4 bridged
- Knurled nut suitable for tool assembly
- Immunity to vibration, with mechanical latching

Y-Splitter M12 plug to 2x M12 socket 5-pin A-coded



Dimensions



Technical Data

General specifications	
Customization	pin 2 and 4 bridged
Connector 1	
Connection	socket
Construction type	M12
Style	straight
Locking	screw connection
Number of pins	5
Coding	A-coded
Connector 2	
Connection	socket
Construction type	M12
Style	straight
Locking	screw connection
Number of pins	5
Coding	A-coded
Connector 3	

Release date: 2023-06-30 Date of issue: 2023-06-30 Filename: 275459_eng.pdf

Refer to "General Notes Relating to Pepperl+Fuchs Product Information".

Pepperl+Fuchs Group
www.pepperl-fuchs.com

USA: +1 330 486 0001
fa-info@us.pepperl-fuchs.com

Germany: +49 621 776 1111
fa-info@de.pepperl-fuchs.com

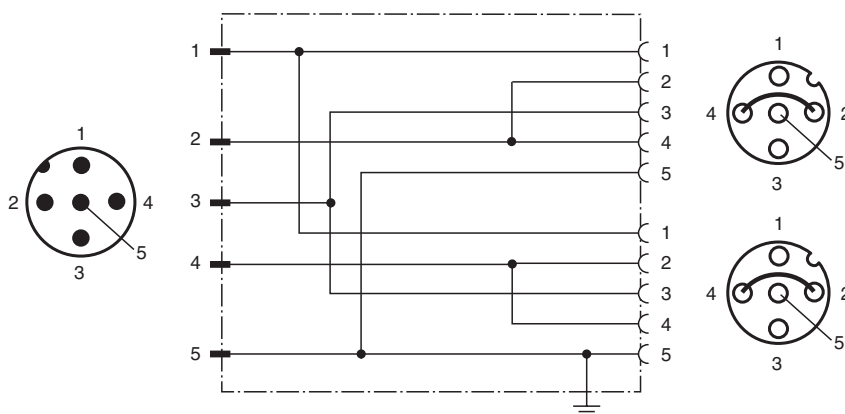
Singapore: +65 6779 9091
fa-info@sg.pepperl-fuchs.com

PEPPERL+FUCHS

Technical Data



Connection	plug	
Construction type	M12	
Style	straight	
Locking	screw connection	
Number of pins	5	
Coding	A-coded	
UL File Number	E231213	
Electrical specifications		
Operating voltage	U_B	max. 48 V AC / 60 V DC
Operating current	I_B	4 A
Conformity		
Degree of protection	EN 60529	
Plug connection	connector M12 x 1 : IEC 61076-2-101	
Flammability	UL 94 , UL 758 / 1581	
Approvals and certificates		
UL approval	UL Recognized General purpose	
Maximum permissible operating voltage	max. 60 V	
Maximum permissible ambient temperature	max. 80 °C (max. 176 °F)	
Ambient conditions		
Ambient temperature	-40 ... 90 °C (-40 ... 194 °F)	
Pollution degree	3	
Mechanical specifications		
Plug connector		
Tightening torque	0.6 Nm	
Loosening protection	available	
Tool installation	straight knurling	
Mating cycles	min. 100	
Degree of protection	IP67	
Mounting	Mounting hole for M4 screw	
Material		
Plug connector		
Screw connection	Zinc diecast, nickel-plated	
Body	TPU	
Contact surface	Au	
Flammability	V-2	

Connection Assignment



Release date: 2023-06-30 Date of issue: 2023-06-30 Filename: 275459_eng.pdf

Accessories

	MH V1-SCREWDRIVER	Torque screwdriver (0.6 Nm)
	MH V1-BIT M12	plug-in cap M12