



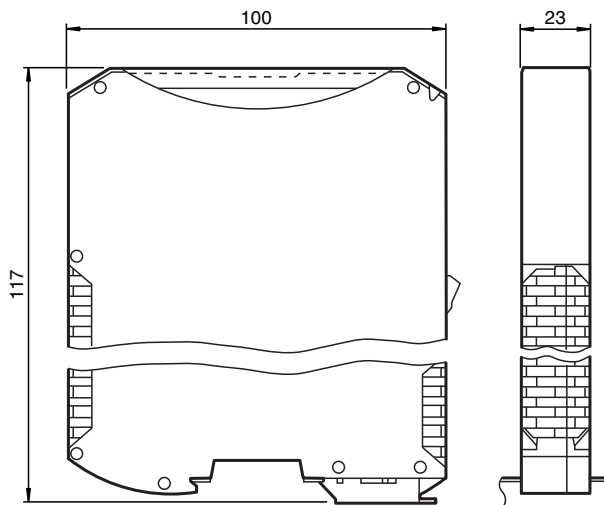
WCS interface module WCS-PG310

- Up to 4 read heads can be connected
- DIN rail mounting
- Integrated switch
- PROFIBUS interface

WCS Profibus interface module



Dimensions



Technical Data

General specifications

Installation DIN rail mounting

Functional safety related parameters

MTTF _d	180 a
Mission Time (T _M)	10 a
Diagnostic Coverage (DC)	0 %

Electrical specifications

Operating voltage	U _B	10 ... 30 V DC
Power consumption	P ₀	≤ 3.6 W (without read heads)

Interface 1

Release date: 2023-12-15 Date of issue: 2023-12-15 Filename: 276147_eng.pdf

Refer to "General Notes Relating to Pepperl+Fuchs Product Information".

Pepperl+Fuchs Group
www.pepperl-fuchs.com

USA: +1 330 486 0001
fa-info@us.pepperl-fuchs.com

Germany: +49 621 776 1111
fa-info@de.pepperl-fuchs.com

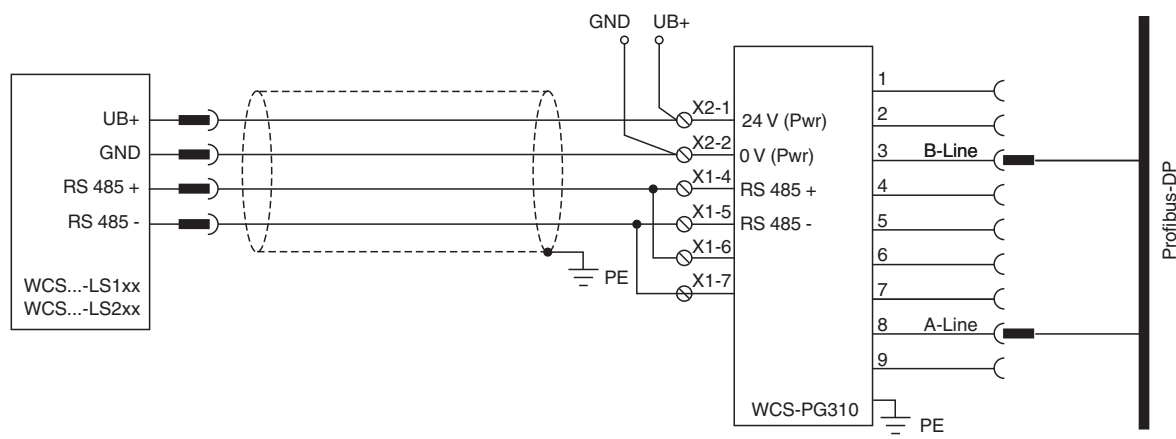
Singapore: +65 6779 9091
fa-info@sg.pepperl-fuchs.com

 PEPPERL+FUCHS

Technical Data

Connection of	control system
Interface type	PROFIBUS DP V1
Transfer rate	max. 12 MBit/s , Automatic baud rate detection
Data output format	binary code
Bus termination resistor	switchable
Interface 2	
Connection of	Read head
Connectable read heads	WCS...-LS221 , WCS...-LS121
Interface type	RS-485
Transmission method	half duplex
Transfer rate	62.5 kBit/s
RS485 termination resistor	switchable
Refresh cycle of read head	1 ms
Standard conformity	
Emitted interference	EN 55011, cl. A: 2007
Noise immunity	EN 61000-6-2:2005
Approvals and certificates	
CCC approval	CCC approval / marking not required for products rated ≤36 V
Ambient conditions	
Operating temperature	-40 ... 85 °C (-40 ... 185 °F) , no moisture condensation
Storage temperature	-40 ... 85 °C (-40 ... 185 °F)
Relative humidity	≤ 80 %
Mechanical specifications	
Connection type	Interface 1: 9-pin Sub-D connector Interface 2: terminal connection ≤ 2.5 mm ² Interface 3: Terminal connection, 2-pin
Housing width	23 mm
Housing height	111 mm
Housing depth	117 mm
Degree of protection	IP20
Material	plastic
Installation position	any position
Mass	approx. 130 g

Connection



Release date: 2023-12-15 Date of issue: 2023-12-15 Filename: 276147_eng.pdf