

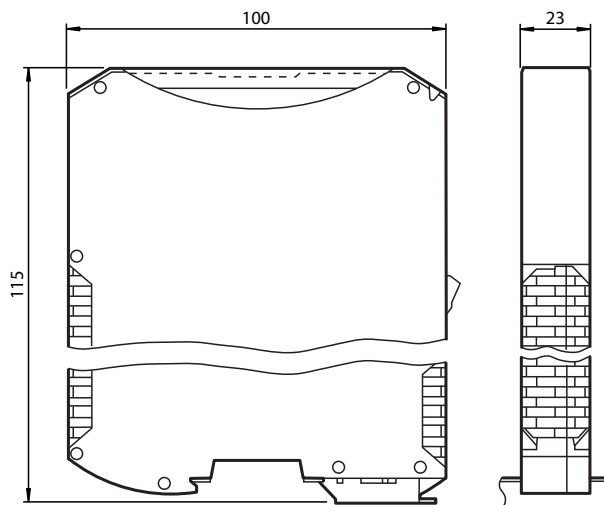
## WCS interface module WCS-DG310

- Up to 4 read heads can be connected
- DIN rail mounting
- Integrated switch
- DeviceNet interface

WCS DeviceNet interface module



### Dimensions



### Technical Data

#### General specifications

Installation DIN rail mounting

#### Functional safety related parameters

MTTF <sub>d</sub>	180 a
Mission Time (T <sub>M</sub> )	10 a
Diagnostic Coverage (DC)	0 %

#### Electrical specifications

Operating voltage	U <sub>B</sub>	10 ... 30 V DC
Power consumption	P <sub>0</sub>	≤ 3.6 W (without read heads)

#### Interface 1

Release date: 2023-12-15 Date of issue: 2023-12-15 Filename: 276148\_eng.pdf

Refer to "General Notes Relating to Pepperl+Fuchs Product Information".

Pepperl+Fuchs Group  
www.pepperl-fuchs.com

USA: +1 330 486 0001  
fa-info@us.pepperl-fuchs.com

Germany: +49 621 776 1111  
fa-info@de.pepperl-fuchs.com

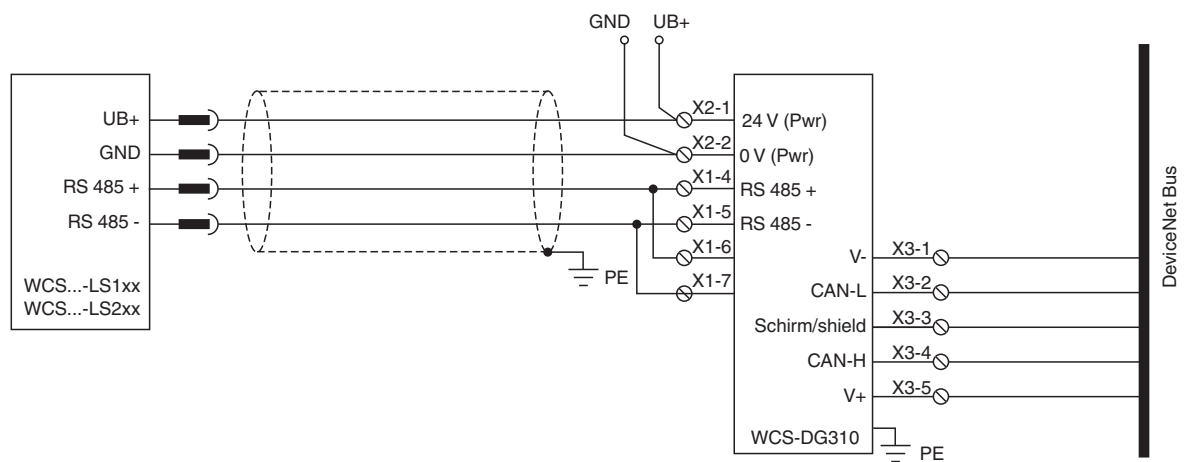
Singapore: +65 6779 9091  
fa-info@sg.pepperl-fuchs.com

 PEPPERL+FUCHS

**Technical Data**

Connection of	control system
Interface type	DeviceNet
Transfer rate	max. 500 kBit/s
Data output format	binary code
Bus termination resistor	switchable
<b>Interface 2</b>	
Connection of	Read head
Connectable read heads	WCS...-LS221 , WCS...-LS121
Interface type	RS-485
Transmission method	half duplex
Transfer rate	62.5 kBit/s
RS485 termination resistor	switchable
Refresh cycle of read head	1 ms
<b>Standard conformity</b>	
Emitted interference	EN 55011, cl. A: 2007
Noise immunity	EN 61000-6-2:2005
<b>Approvals and certificates</b>	
CCC approval	CCC approval / marking not required for products rated ≤36 V
<b>Ambient conditions</b>	
Operating temperature	-40 ... 85 °C (-40 ... 185 °F) , no moisture condensation
Storage temperature	-40 ... 85 °C (-40 ... 185 °F)
Relative humidity	≤ 80 %
<b>Mechanical specifications</b>	
Connection type	Interface 1: terminal connection ≤ 2.5 mm <sup>2</sup> , 5-pin Interface 2: terminal connection ≤ 2.5 mm <sup>2</sup> Interface 3: Terminal connection, 2-pin
Housing width	23 mm
Housing height	116 mm
Housing depth	115 mm
Degree of protection	IP20
Material	plastic
Installation position	any position
Mass	approx. 130 g

**Connection**



Release date: 2023-12-15 Date of issue: 2023-12-15 Filename: 276148\_eng.pdf