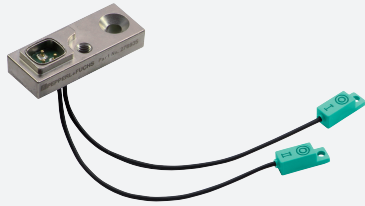


Inductive power clamp sensor

NBN2-F58xxA3-100S3

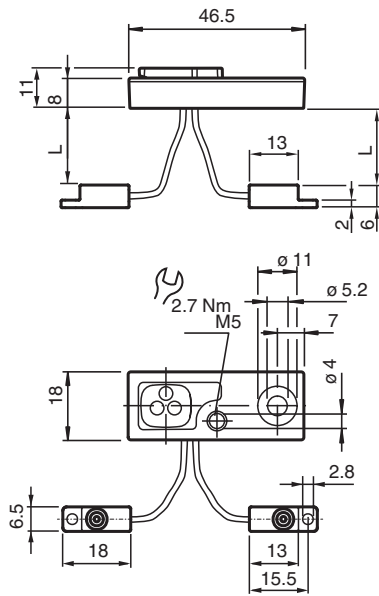


- Technical data are only valid if amplifier unit is connected
- 2 mm non-flush
- For use in direct- and alternating-field welding systems
- Completely halogen and silicon free

Satellite unit



Dimensions



Technical Data

General specifications

Rated operating distance	s_n	2 mm
Installation		non-flush

Compliance with standards and directives

Standard conformity		
Standards		EN 60947-5-2:2007 EN 60947-5-2/A1:2012 IEC 60947-5-2:2007 IEC 60947-5-2 AMD 1:2012

Approvals and certificates

UL approval		cULus Listed, General Purpose
-------------	--	-------------------------------

Release date: 2022-05-25 Date of issue: 2022-05-25 Filename: 276935_eng.pdf

Refer to "General Notes Relating to Pepperl+Fuchs Product Information".

Pepperl+Fuchs Group
www.pepperl-fuchs.com

USA: +1 330 486 0001
fa-info@us.pepperl-fuchs.com

Germany: +49 621 776 1111
fa-info@de.pepperl-fuchs.com

Singapore: +65 6779 9091
fa-info@sg.pepperl-fuchs.com

PF PEPPERL+FUCHS

Technical Data

Ambient conditions	
Ambient temperature	0 ... 50 °C (32 ... 122 °F)
Storage temperature	-25 ... 70 °C (-13 ... 158 °F)
Mechanical specifications	
Connection type	Spring contacts, 3 pins flexible leads PUR (halogen-free) L = 100 mm ± 5 mm
Housing material	PA 6 / Diecast zinc
Degree of protection	IP65
Note	only for use with amplifier unit of NBxx-F58A3x3 family