

# Cover for DIN Mounting Rail

## POWERBUS-COV.250



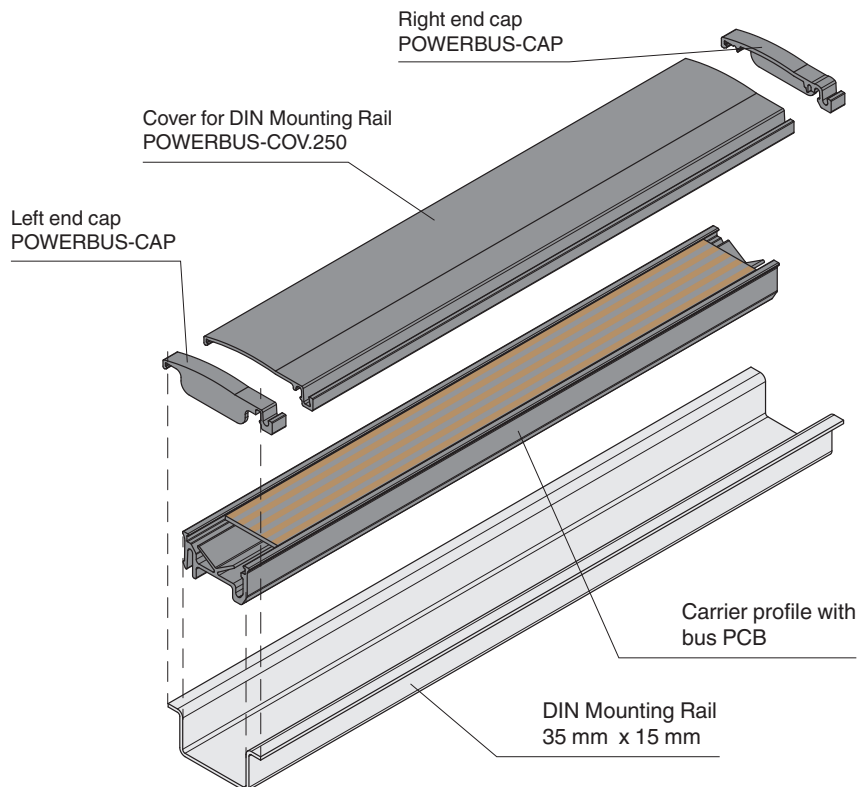
- Cover for DIN mounting rail
- Suitable for Power Bus
- Standard length 250 mm (9.84 inch), simple to customize to application space
- Packaging unit: 5 pieces

Cover for 35 mm DIN mounting rail, length: 250 mm

### Function

The cover mounts onto the 35 mm DIN mounting rail. Thereby the DIN mounting rail will be protected from pollution. The contact with electrically conductive parts on DIN mounting rail will be prevented.

### Assembly



Release date: 2020-09-23 Date of issue: 2020-09-23 Filename: 278541\_eng.pdf

Refer to "General Notes Relating to Pepperl+Fuchs Product Information".

Pepperl+Fuchs Group  
www.pepperl-fuchs.com

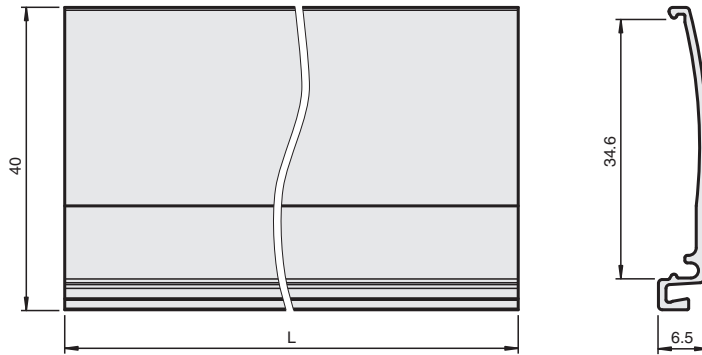
USA: +1 330 486 0002  
pa-info@us.pepperl-fuchs.com

Germany: +49 621 776 2222  
pa-info@de.pepperl-fuchs.com

Singapore: +65 6779 9091  
pa-info@sg.pepperl-fuchs.com

 **PEPPERL+FUCHS**

## Dimensions



## Technical Data

### Mechanical specifications

Material	Polycarbonate
Mass	approx. 100 g
Dimensions	7.6 x 42.2 x 250 mm (0.3 x 1.66 x 9.84 inch)
Mounting	on 35 mm DIN mounting rail acc. to EN 60715:2001
<b>General information</b>	
Packing unit	5 item(s)