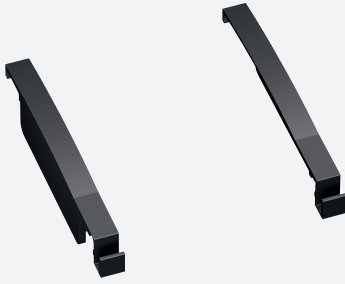


# End Cap for Power Bus POWERBUS-CAP



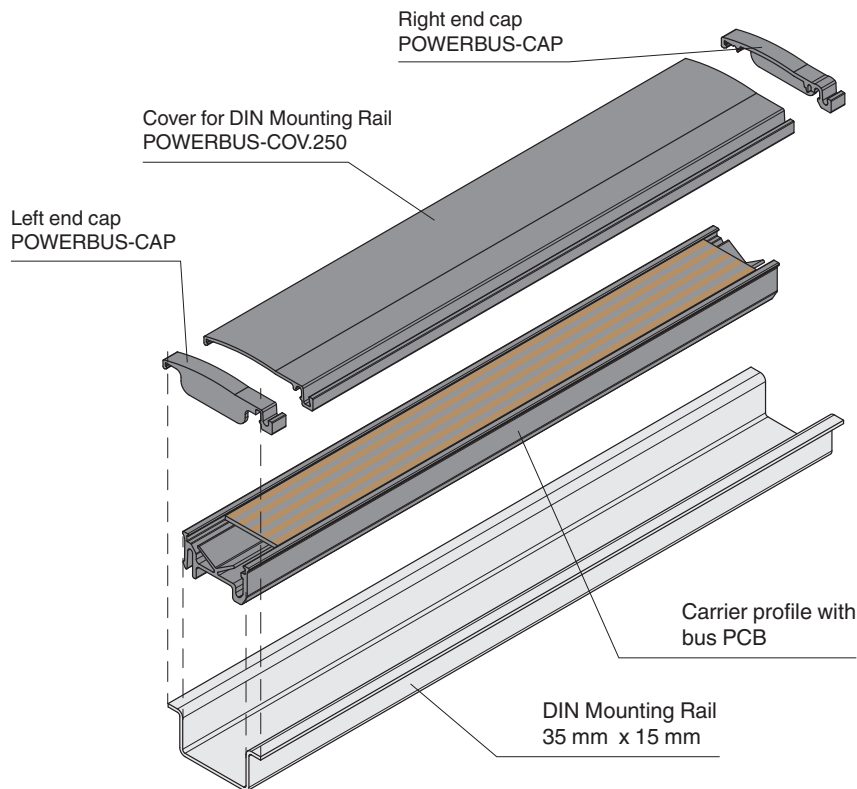
- Fixing of the bus carrier with bus PCB in the DIN mounting rail
- Termination of DIN mounting rail
- Suitable for Power Bus
- Packaging unit: 5 pieces left, 5 pieces right

## End Cap for Power Bus

### Function

The end cap mounts in the 35 mm DIN mounting rail acc. to DIN EN 60715.  
The end cap covers the end of the DIN mounting rail and fixes the bus carrier with bus PCB in the DIN mounting rail.

### Assembly



Release date: 2020-09-23 Date of issue: 2020-09-23 Filename: 278543\_eng.pdf

Refer to "General Notes Relating to Pepperl+Fuchs Product Information".

Pepperl+Fuchs Group  
www.pepperl-fuchs.com

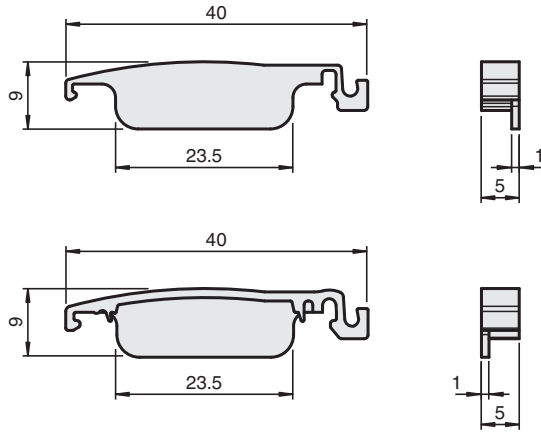
USA: +1 330 486 0002  
pa-info@us.pepperl-fuchs.com

Germany: +49 621 776 2222  
pa-info@de.pepperl-fuchs.com

Singapore: +65 6779 9091  
pa-info@sg.pepperl-fuchs.com

**PF** PEPPERL+FUCHS

**Dimensions**



**Technical Data**

Mechanical specifications	
Material	Polycarbonate
Mass	approx. 10 g
Dimensions	17 x 37 x 24 mm (0.67 x 1.46 x 0.95 inch)
Mounting	on 35 mm DIN mounting rail acc. to EN 60715:2001
General information	
Packing unit	5 item(s) left 5 item(s) right

Release date: 2020-09-23 Date of issue: 2020-09-23 Filename: 278543\_eng.pdf