



## Background suppression sensor

ML100-8-H-5374/115/120/162



- Diffuse mode sensor with multiple light spots
- Specially designed for detecting critical objects such as PCBs
- Miniature design
- Detects objects in front of a close background through precise background suppression
- Can be adapted to the application in question thanks to the adjustable detection range
- Precision object detection, almost irrespective of the color
- Not sensitive to ambient light, even with switched energy saving lamps

Diffuse mode sensor with special light spots for detecting PCBs, background suppression, miniature design, 100 mm detection range, red light, light/dark on, PNP outputs, fixed cable



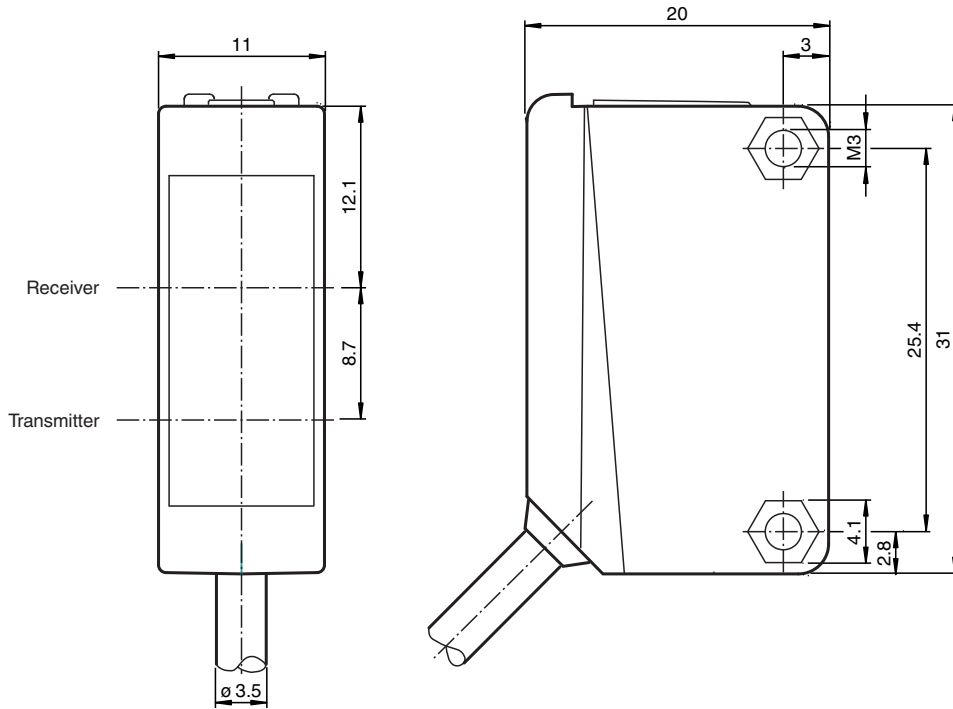
### Function

The optical sensors of this series are suitable for both standard and demanding applications. The series features a miniature housing design, two M3 metal-threaded mounting holes and a highly visible LED status indicator. Each device is equipped with a sensitivity adjuster and a light-on/dark-on changeover switch for increased flexibility. A wide variety of versions are available in both infrared light and red light with PowerBeam for easy alignment. Special versions with BlueBeam are suitable for challenging applications like those in the solar and battery industries.

### Application

File not found

**Dimensions**



**Technical Data**

General specifications	
Detection range	20 ... 100 mm preset to 50 ... mm
Detection range min.	10 ... 25 mm
Detection range max.	25 ... 100 mm
Adjustment range	25 ... 100 mm
Reference target	standard white, 100 mm x 100 mm
Light source	LED
Light type	modulated visible red light
Polarization filter	no
Black-white difference (6%/90%)	< 20 %
Diameter of the light spot	3 light spots, spotsize 4 mm at a distance of 50 mm, spots are 8 mm apart; spotsize 2.5 mm at a distance of 80 mm, spots are 12 mm apart; spotsize 4 mm at a distance of 100 mm, spots are 15 mm apart (outer spot to outer spot)
Optical face	frontal
Ambient light limit	EN 60947-5-2:2007+A1:2012
Functional safety related parameters	
MTTF <sub>d</sub>	1100 a
Mission Time (T <sub>M</sub> )	20 a
Diagnostic Coverage (DC)	0 %
Indicators/operating means	
Operation indicator	LED green: power on
Function indicator	LED yellow: lights when object is detected , flashes when in adjustment mode
Control elements	Sensing range adjuster

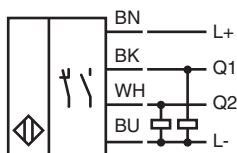
Release date: 2023-03-28 Date of issue: 2023-03-28 Filename: 280994\_eng.pdf

Refer to "General Notes Relating to Pepperl+Fuchs Product Information".

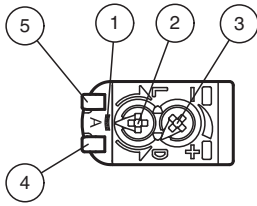
## Technical Data

Control elements	Light-on/dark-on changeover switch preset to dark-on	
<b>Electrical specifications</b>		
Operating voltage	$U_B$	10 ... 30 V DC
Ripple		max. 10 %
No-load supply current	$I_0$	< 15 mA
<b>Output</b>		
Switching type	The default setting is: dark-on	
Signal output	2 PNP outputs, independent short-circuit protected , reverse polarity protected , open collector transistor	
Switching voltage	max. 30 V DC	
Switching current	max. 100 mA , resistive load	
Voltage drop	$U_d$	$\leq 1.5$ V DC
Switching frequency	f	500 Hz
Response time	1 ms	
<b>Compliance with standards and directives</b>		
Directive conformity		
EMC Directive 2004/108/EC	EN 60947-5-2:2007+A1:2012	
Standard conformity		
Standards	UL 60947-5-2	
<b>Approvals and certificates</b>		
UL approval	cULus Listed, Class 2 Power Source or listed Power Supply with a limited voltage output with (maybe integrated) fuse (max. 3.3 A according UL248), Type 1 enclosure	
CCC approval	CCC approval / marking not required for products rated $\leq 36$ V	
<b>Ambient conditions</b>		
Ambient temperature	-30 ... 60 °C (-22 ... 140 °F)	
Storage temperature	-40 ... 70 °C (-40 ... 158 °F)	
<b>Mechanical specifications</b>		
Housing width	11 mm	
Housing height	31 mm	
Housing depth	20 mm	
Degree of protection	IP67	
Connection	2 m fixed cable	
Material		
Housing	PC (Polycarbonate)	
Optical face	PMMA	
Mass	approx. 50 g	
Tightening torque, fastening screws	0.6 Nm	
Cable length	2 m	

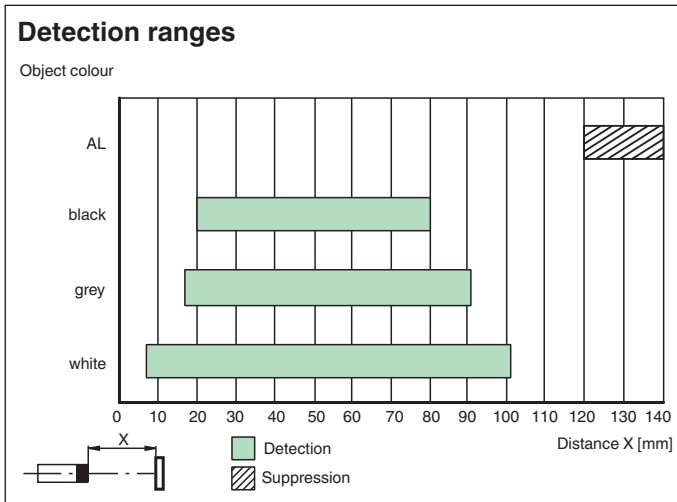
## Connection



**Assembly**



1	Alignment Mode	
2	Light-Dark-switching	
3	Sensitivity adjuster	
4	Signal display	yellow
5	Operating display	green



**Accessories**

	<b>OMH-ML100-09</b>	Mounting aid for round steel ø 12 mm or sheet 1.5 mm ... 3 mm
	<b>OMH-ML100-01</b>	Mounting aid for ML100 series, mounting bracket
	<b>OMH-ML100-02</b>	Mounting aid for ML100 series, mounting bracket
	<b>OMH-ML100-03</b>	Mounting aid for round steel ø 12 mm or sheet 1.5 mm ... 3 mm
	<b>OMH-ML100-04</b>	Mounting aid for ML100 series, mounting bracket
	<b>OMH-ML100-05</b>	Mounting aid for ML100 series, mounting bracket
	<b>OMH-ML100-S2</b>	Mounting aid for ML100 series, mounting bracket

Release date: 2023-03-28 Date of issue: 2023-03-28 Filename: 280994\_eng.pdf

## Configuration Information

### Setting mode (A-Mode):

A-Mode is an additional switch position that is integrated into the light ON/dark ON switch. A-Mode is located between position L and position D. A-Mode is a help mode which enables you to detect whether all three light spots are directed onto the object.

If A-Mode is selected, the yellow signal indicator LED flashes; the number of times that the LED flashes equates to the number of detected light spots.

The following scenarios exist:

- No flashing/LED off: No light spots detected
- Fast flashing (8 Hz): One light spot detected
- Slow flashing (4 Hz): Two light spots detected
- Static illumination/LED on: Three light spots detected

As soon as you exit A-Mode, the yellow LEDs light up in the standard manner again.

## Switching output AND and OR

The sensor has three light spots, which the sensor evaluates individually. This permits a logical linking of the light spots.

The logical linking of the light spots is available at the switching output as OR (Pin 4/BK) and AND (Pin 2/WH).

Switching outputs:

If at least one of the three light spots provides an adequate receiving light strength from the detected object, the switching output switches to OR.

If all the light spots provide an adequate receiving light strength from the detected object, the switching output switches to AND.

Logical Linking	1. Light spot	2. Light spot	3. Light spot	Switching output
OR	0	0	0	0
	1	0	0	1
	0	1	0	1
	0	0	1	1
	1	1	0	1
	0	1	1	1
	1	1	1	1
AND	0	0	0	0
	1	0	0	0
	0	1	0	0
	0	0	1	0
	1	1	0	0
	0	1	1	0
	1	1	1	1