



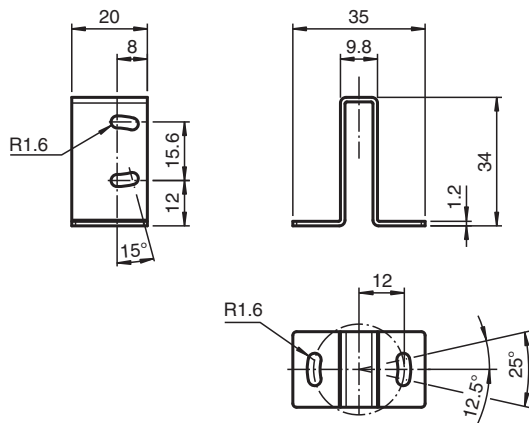
Mounting aid MH-R3-01



- Mounting bracket with protective shroud
- For top mounting
- Simple and fast mounting

Mounting aid for sensors from the R3 series, mounting bracket

Dimensions



Technical Data

Mechanical specifications	
Material	Stainless steel
Mass	approx. 15 g
Mounting	Fixing screws , 2 x M3 allen head screws included with delivery
General information	
Scope of delivery	Mounting bracket , Fixing screws , SW2.5 Allen wrench
Suitable series	
Series	OB*-R3

Release date: 2020-03-24 Date of issue: 2020-06-30 Filename: 281176_eng.pdf

Refer to "General Notes Relating to Pepperl+Fuchs Product Information".

Pepperl+Fuchs Group
www.pepperl-fuchs.com

USA: +1 330 486 0001
fa-info@us.pepperl-fuchs.com

Germany: +49 621 776 1111
fa-info@de.pepperl-fuchs.com

Singapore: +65 6779 9091
fa-info@sg.pepperl-fuchs.com

PF PEPPERL+FUCHS