

Activator

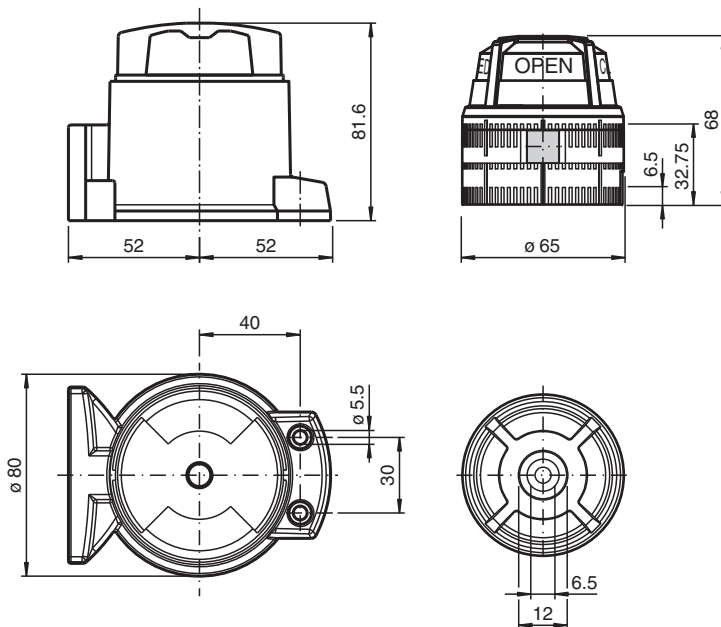
BT65-F31-RG-EN



- High-visibility valve position display
- Protection against contamination and damage
- Captive screws for easy mounting
- Two actuation targets in two levels with 5° setting grid
- Suitable for right and left rotating drives

Activator for F31 and F31K series including protective housing

Dimensions



Technical Data

General specifications

Ring diameter	max. 65 mm
Spring ring height	max. 6 mm

Nominal ratings

Valve status indicator	red = CLOSED green = OPEN
------------------------	------------------------------

Compliance with standards and directives

Standard conformity	
Standards	VDI / VDE 3845

Ambient conditions

Ambient temperature	-25 ... 70 °C (-13 ... 158 °F)
---------------------	--------------------------------

Release date: 2020-10-06 Date of issue: 2020-10-06 Filename: 283310_eng.pdf

Refer to "General Notes Relating to Pepperl+Fuchs Product Information".

Pepperl+Fuchs Group
www.pepperl-fuchs.com

USA: +1 330 486 0001
fa-info@us.pepperl-fuchs.com

Germany: +49 621 776 1111
fa-info@de.pepperl-fuchs.com

Singapore: +65 6779 9091
fa-info@sg.pepperl-fuchs.com

pepperl+fuchs

Technical Data

Mechanical specifications

Shaft diameter	≤ 49 mm
Shaft height	20 mm and 30 mm
Mounting hole pattern	30 x 80 mm
Material	
Housing	PC
Actuator	PA
Spacer disk	PA (1 unit, 10 mm strong)
Mounting screw	Stainless steel 1.4401 / AISI 316
Activation target	Stainless steel 1.4305 / AISI 303 (integrated)

General information

Scope of delivery	<ul style="list-style-type: none"> 1 screw M6 x 30 1 screw M6 x 40 1 Activator for F31, F31K series 1 Distance disc 1 Protective cover 2 captive Fixing screws M5 x 16
-------------------	--