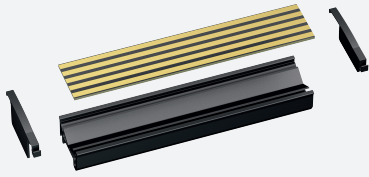


Power Bus for DIN Mouning Rail

POWERBUS-SETH5.500



- Bus carrier with bus PCB for 35 mm DIN mounting rail, height 15 mm
- Provides DC supply voltage and the bus connection to all equipped SC-System modules
- Standard length 500 mm (19.7 inch), simple to customize to application space
- Eliminates daisy-chains

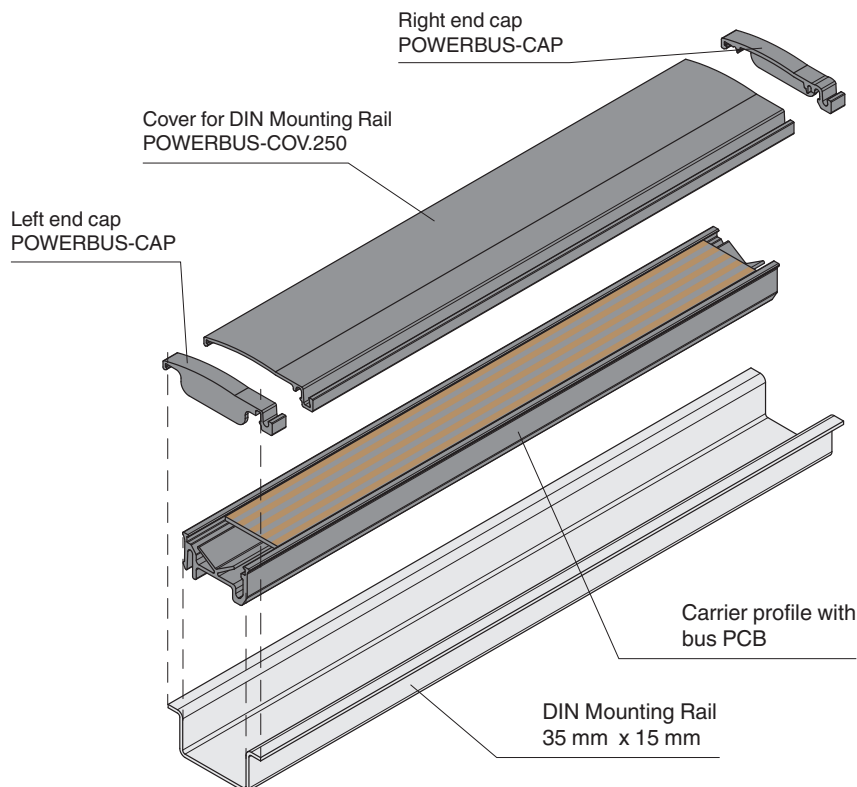
Power bus for 35 mm DIN mounting rail, height: 15 mm, length: 500 mm



Function

The power bus consists of a bus carrier with bus PCB. In addition, two end caps are attached to the power bus. The component has conductors for power and for bus connections. The component reduces wiring and maintenance costs because it eliminates the need to daisy-chain the wires. It also simplifies expansion – just snap in a new isolator when you're ready to expand a system. The component comes in 500 mm (19.7 inch) segments but can be cut to any size.

Assembly



Technical Data

Electrical specifications

Rated voltage	U_r	24 V DC
---------------	-------	---------

Release date: 2023-04-18 Date of issue: 2023-04-18 Filename: 286605_eng.pdf

Refer to "General Notes Relating to Pepperl+Fuchs Product Information".

Pepperl+Fuchs Group
www.pepperl-fuchs.com

USA: +1 330 486 0002
pa-info@us.pepperl-fuchs.com

Germany: +49 621 776 2222
pa-info@de.pepperl-fuchs.com

Singapore: +65 6779 9091
pa-info@sg.pepperl-fuchs.com

PEPPERL+FUCHS

Technical Data

Rated current	I_r	3 A
Ambient conditions		
Ambient temperature		-25 ... 70 °C (-13 ... 158 °F)
Mechanical specifications		
Connection		5 conductors
Supply		2 Conductors
Fault output		1 Conductors
Dimensions		13 x 25 x 500 mm (0.51 x 1.57 x 19.7 inch)
Mounting		in 35 mm DIN mounting rail acc. to EN 60715:2001 Height: 15 mm
General information		
Scope of delivery		- power bus POWERBUS-SETH5.500 - end cap POWERBUS-CAP
Accessories		
Optional accessories		- cover POWERBUS-COV.250 - end cap POWERBUS-CAP - 35 mm DIN mounting rail acc. to EN 60715

Safety Information

Cover empty, open segments of the power bus. Use the supplied cover for DIN mounting rail (optional accessory). Thereby power bus will be protected from pollution. The contact with electrically conductive parts on power bus will be prevented.