



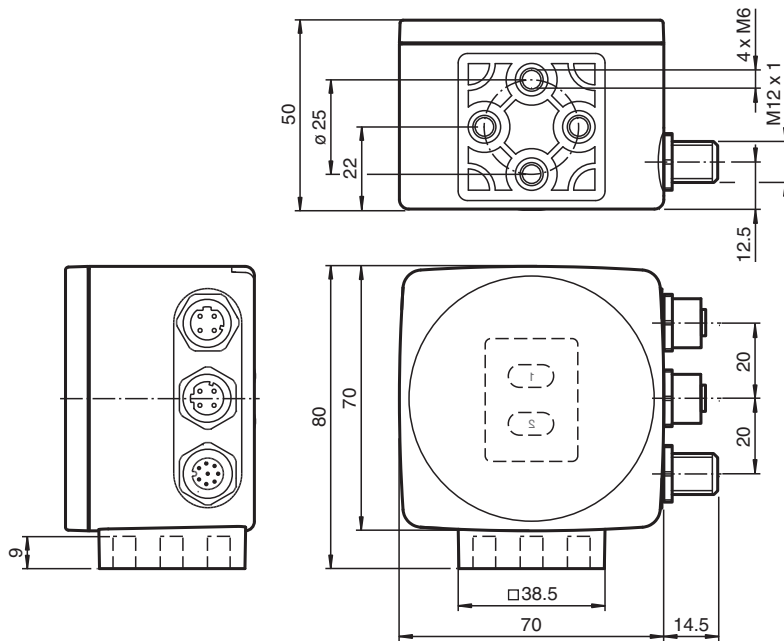
Optical reading head PXV100Q-F200-B17-V1D

- PROFINET interface
- Non-contact positioning on Data Matrix code tape
- Mechanically rugged: no wearing parts, long operating life, maintenance-free
- High resolution and precise positioning, especially for facilities with curves and switch points as well as inclines and declines.
- Integrated switch
- Traverse distance up to 100 km
- Output of code quality
- Pollution detection

Read head for incident light positioning system



Dimensions



Technical Data

General specifications

| | | |
|---------------------|---|--------------------------------|
| Passage speed | v | ≤ 8 m/s |
| Measuring range | | max. 100000 m |
| Light type | | Integrated LED lightning (red) |
| Scan rate | | 40 s ⁻¹ |
| Read distance | | 100 mm |
| Depth of focus | | ± 50 mm |
| Reading field | | 115 mm x 73 mm |
| Ambient light limit | | 100000 Lux |
| Accuracy | | ± 0.2 mm |

Release date: 2024-02-08 Date of issue: 2024-02-08 Filename: 293431-100023_eng.pdf

Refer to "General Notes Relating to Pepperl+Fuchs Product Information".

Pepperl+Fuchs Group
www.pepperl-fuchs.com

USA: +1 330 486 0001
fa-info@us.pepperl-fuchs.com

Germany: +49 621 776 1111
fa-info@de.pepperl-fuchs.com

Singapore: +65 6779 9091
fa-info@sg.pepperl-fuchs.com

PF PEPPERL+FUCHS

Technical Data

| | | | |
|---|----------------|--|--|
| Nominal ratings | | | |
| Camera | | | |
| Type | | CMOS , Global shutter | |
| Processor | | | |
| Clock pulse frequency | | 600 MHz | |
| Speed of computation | | 4800 MIPS | |
| Digital resolution | | 32 Bit | |
| Functional safety related parameters | | | |
| MTTF _d | | 99 a | |
| Mission Time (T _M) | | 20 a | |
| Diagnostic Coverage (DC) | | 0 % | |
| Indicators/operating means | | | |
| LED indication | | 7 LEDs (communication, alignment aid, status information) | |
| Electrical specifications | | | |
| Operating voltage | U _B | 15 ... 30 V DC , PELV | |
| No-load supply current | I ₀ | max. 400 mA | |
| Power consumption | P ₀ | 6 W | |
| Interface | | | |
| Interface type | | 100 BASE-TX | |
| Protocol | | PROFINET IO Real-Time (RT) Conformance class B Netload Class II | |
| Transfer rate | | 100 MBit/s | |
| Interface 2 | | | |
| Interface type | | USB Service | |
| Input | | | |
| Input type | | 1 function input 0-level: -U _B or unwired 1-level: +8 V ... +U _B , programmable | |
| Input impedance | | ≥ 27 kΩ | |
| Output | | | |
| Output type | | 1 to 3 switch outputs , programmable , short-circuit protected | |
| Switching voltage | | Operating voltage | |
| Switching current | | 150 mA each output | |
| Conformity | | | |
| Shock resistance | | EN 60068-2-27:2009 | |
| Vibration resistance | | EN 60068-2-6:2008 | |
| Emitted interference | | EN 61000-6-4:2007+A1:2011 | |
| Noise immunity | | EN 61000-6-2:2005 | |
| Photobiological safety | | exempt group according to EN 62471:2008 | |
| Approvals and certificates | | | |
| CE conformity | | CE | |
| CCC approval | | CCC approval / marking not required for products rated ≤36 V | |
| Ambient conditions | | | |
| Operating temperature | | 0 ... 60 °C (32 ... 140 °F) , -20 ... 60 °C (-4 ... 140 °F) (noncondensing; prevent icing on the lens!) | |
| Storage temperature | | -20 ... 85 °C (-4 ... 185 °F) | |
| Relative humidity | | 90 % , noncondensing | |
| Mechanical specifications | | | |
| Connection type | | 8-pin, M12x1 connector, standard (supply+IO) 4-pin, M12x1 socket, D-coded (LAN) 4-pin, M12x1 socket, D-coded (LAN) | |
| Degree of protection | | IP67 | |
| Material | | | |
| Housing | | PC/ABS | |
| Mass | | approx. 200 g | |

Release date: 2024-02-08 Date of issue: 2024-02-08 Filename: 293431-1-100023_eng.pdf

Refer to "General Notes Relating to Pepperl+Fuchs Product Information".

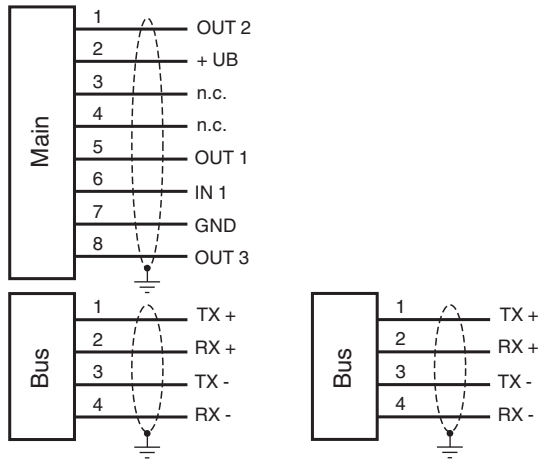
Pepperl+Fuchs Group
www.pepperl-fuchs.comUSA: +1 330 486 0001
fa-info@us.pepperl-fuchs.comGermany: +49 621 776 1111
fa-info@de.pepperl-fuchs.comSingapore: +65 6779 9091
fa-info@sg.pepperl-fuchs.com

PEPPERL+FUCHS

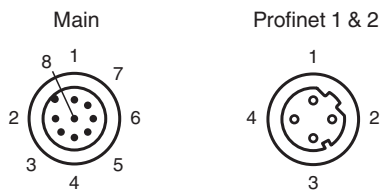
Technical Data

| Dimensions | | |
|------------|--|-------|
| Height | | 70 mm |
| Width | | 70 mm |
| Depth | | 50 mm |

Connection

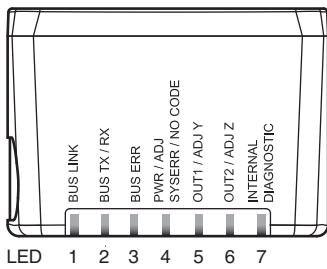
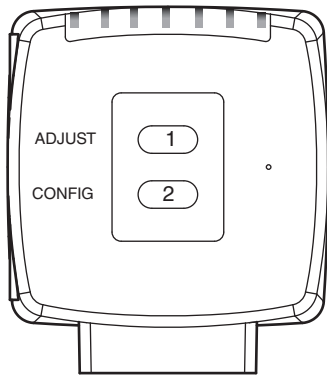


Connection Assignment



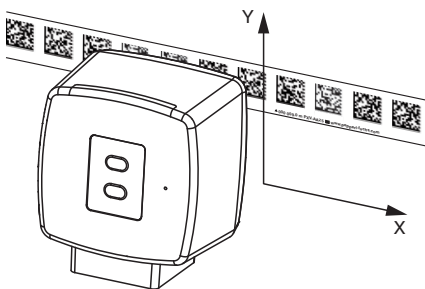
Release date: 2024-02-08 Date of issue: 2024-02-08 Filename: 293431-100023_eng.pdf

Indication



Function Principle

Position Data



Release date: 2024-02-08 Date of issue: 2024-02-08 Filename: 293431-100023_eng.pdf

Additional Information

General

The reading head is part of the positioning system in the method for measurement by Pepperl+Fuchs. It consists of a camera module and an integrated illumination unit among other things. The reading head detects position marks, which are put on an adhesive code band in the form of Data Matrix code. The mounting of the code band is as a rule stationary on a firm part of the plant (elevator shaft, overhead conveyor mounting rails...); that of the reading head is parallel on the moving "vehicle" (elevator car, overhead conveyor chassis...).

Mounting and commissioning

Mount the reading head such that its optical surface captures the optimal read distance to the code band (see Technical Data). The stability of the mounting and the guidance of the vehicle must be provided such that the depth of field of the reading head is not closed during operation. All reading heads can be optimally customized by parameterization for specific requirements.

Displays and Controls

The reading head allows visual function check and fast diagnosis with 7 indicator LEDs. The reading head has 2 buttons on the reverse of the device to activate the alignment aid and parameterization mode.

LEDs

| LED | Color | Label | Meaning |
|-----|------------------|-------------------------------|---|
| 1 | green | BUS LINK | PROFINET communication active |
| 2 | yellow | BUS TX / RX | Data transfer |
| 3 | red | BUS ERR | PROFINET communication Error |
| 4 | red / green | PWR / ADJ SYSERR / NO CODE | Code recognized / not recognized, Error |
| 5 | yellow | OUT1/ADJ Y | Output 1, Alignment aid Y |
| 6 | yellow | OUT2/ADJ Z | Output 2, Alignment aid Z |
| 7 | red/green/yellow | INTERNAL DIAGNOSTIC | Internal diagnostics |

Alignment aid for the Y and Z coordinates

The activation of the alignment aid is only possible within 10 minutes of switching on the reading head. The switchover from normal operation to "alignment aid operating mode is via button 1 on the reverse of the reading head.

- Press the button 1 for longer than 2 s. LED4 flashes green for a recognized code band. LED4 flashes red for an unrecognized code band.
- **Z coordinate:** If the distance of the camera to the code band too small, the yellow LED6 lights up. If the distance of the camera to the code band too large, the yellow LED6 lights up. Within the target range, the yellow LED6 flashes at the same time as the green LED4.
- **Y coordinate:** If the optical axis of the camera is too deep in relation to the middle of the code band, the yellow LED5 lights up. If the optical axis is too high, the yellow LED5 extinguishes. Within the target range, the yellow LED5 flashes at the same time as the green LED4.
- A short press on button 1 ends the alignment aid and the reading head changes to normal operation.