

# RFID Transponder

## IQC21-30 25pcs

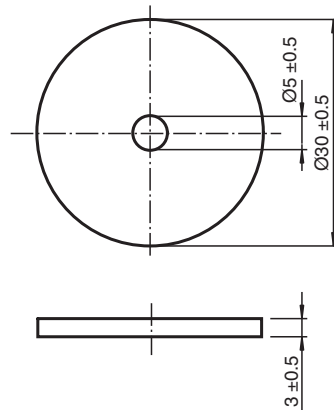


- Operating frequency 13.56 MHz
- 64 bit Fixcode
- 896 bits memory available
- Readable and writable from both sides
- Degree of protection IP68
- Mounting holes for simple installation

Data carrier



### Dimensions



### Technical Data

General specifications	
Operating frequency	13.56 MHz
Transfer rate	26 kBit/s
Memory	
Chip Type	I-CODE SLIX (NXP)
EEPROM	896 Bit
UID	64 Bit
Memory organization	4 bytes/block
Read cycles	unlimited
Write cycles	100000
Data retention period	50 years
Directive conformity	
Radio equipment	
Directive 2014/53/EU	EN 300330
RoHS	
Directive 2011/65/EU (RoHS)	IEC/EN 63000
Standard conformity	

Release date: 2022-12-15 Date of issue: 2022-12-15 Filename: 297750\_eng.pdf

Refer to "General Notes Relating to Pepperl+Fuchs Product Information".

Pepperl+Fuchs Group  
www.pepperl-fuchs.com

USA: +1 330 486 0001  
fa-info@us.pepperl-fuchs.com

Germany: +49 621 776 1111  
fa-info@de.pepperl-fuchs.com

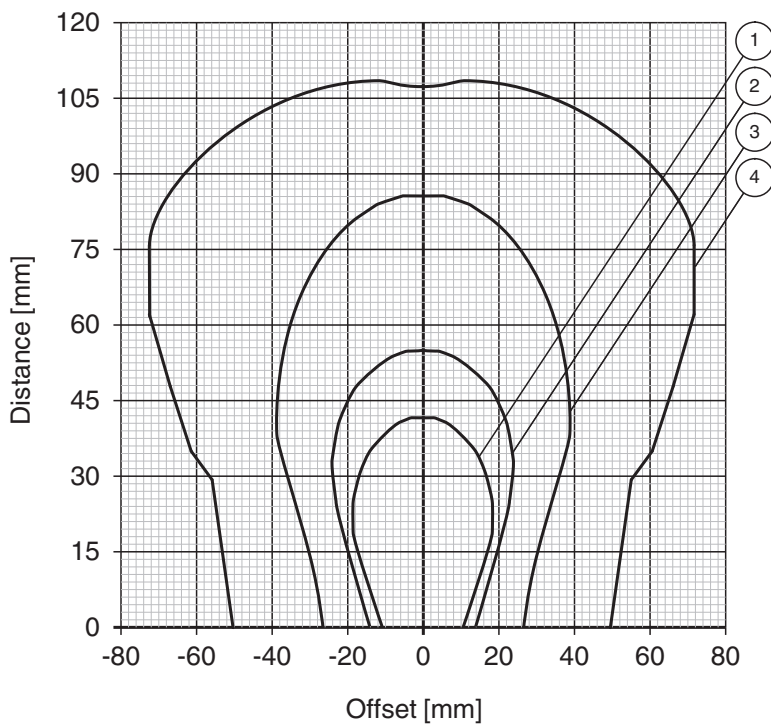
Singapore: +65 6779 9091  
fa-info@sg.pepperl-fuchs.com

 PEPPERL+FUCHS

**Technical Data**

Degree of protection	EN 60529
RFID	ISO/IEC 15693-1 ISO/IEC 15693-2 ISO/IEC 15693-3 ISO/IEC 18000-3
<b>Ambient conditions</b>	
Ambient temperature	-40 ... 90 °C (-40 ... 194 °F)
Storage temperature	-40 ... 120 °C (-40 ... 248 °F) 120 °C (248 °F) for 72 hours
<b>Mechanical specifications</b>	
Housing height	3 mm
Housing diameter	30 mm
Degree of protection	IP68
Material	
Housing	PA9T
Installation	
In air	yes
Construction type	Cylindrical
Note	Packaging unit, 25-piece

Reading range in air IQC21-30P



- ① IQH1-18GM-V1      ② IQH1-F61-V1      ③ IQH1-FP-V1
- ④ IQH1-F15-V1

Release date: 2022-12-15 Date of issue: 2022-12-15 Filename: 297750\_eng.pdf

Refer to "General Notes Relating to Pepperl+Fuchs Product Information".

## Application

The transponder can be read and written from either side.

Release date: 2022-12-15 Date of issue: 2022-12-15 Filename: 297750\_eng.pdf

Refer to "General Notes Relating to Pepperl+Fuchs Product Information".

Pepperl+Fuchs Group  
www.pepperl-fuchs.com

USA: +1 330 486 0001  
fa-info@us.pepperl-fuchs.com

Germany: +49 621 776 1111  
fa-info@de.pepperl-fuchs.com

Singapore: +65 6779 9091  
fa-info@sg.pepperl-fuchs.com

 **PEPPERL+FUCHS**