

# Inductive sensor

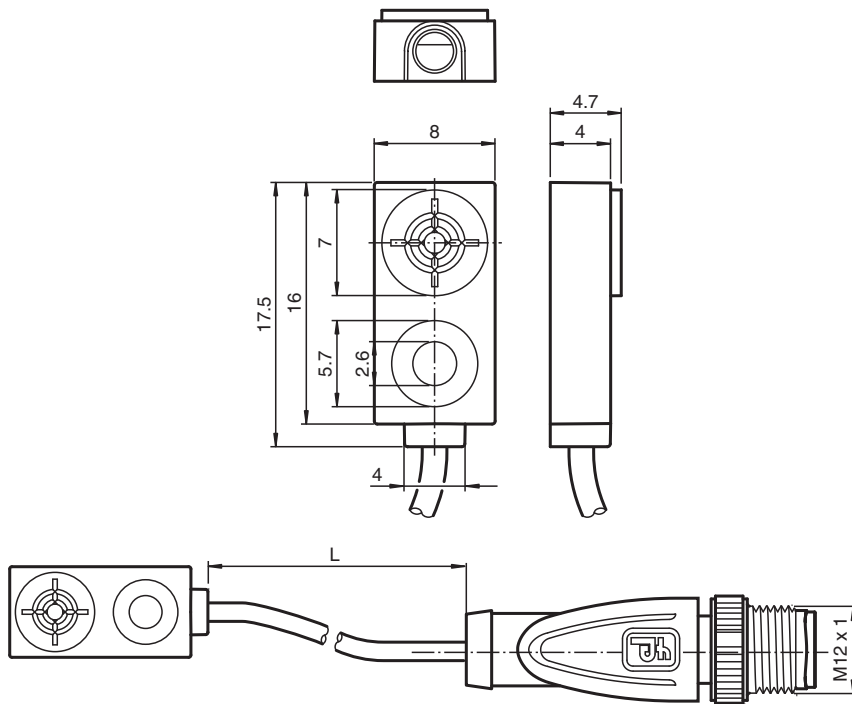
## NBB1,5-F79-E2-0,16M-V1



- 1.5 mm flush
- 3-wire DC



### Dimensions



Release date: 2022-06-30 Date of issue: 2022-06-30 Filename: 301491\_eng.pdf

### Technical Data

#### General specifications

Switching function		Normally open (NO)
Output type		PNP
Rated operating distance	$s_n$	1.5 mm
Installation		flush
Output polarity		DC
Assured operating distance	$s_a$	0 ... 1.215 mm
Reduction factor $r_{Al}$		0.3
Reduction factor $r_{Cu}$		0.2
Reduction factor $r_{304}$		0.7

Refer to "General Notes Relating to Pepperl+Fuchs Product Information".

Pepperl+Fuchs Group  
www.pepperl-fuchs.com

USA: +1 330 486 0001  
fa-info@us.pepperl-fuchs.com

Germany: +49 621 776 1111  
fa-info@de.pepperl-fuchs.com

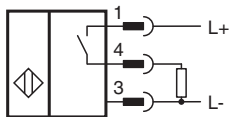
Singapore: +65 6779 9091  
fa-info@sg.pepperl-fuchs.com

PEPPERL+FUCHS

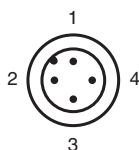
## Technical Data

Output type		3-wire
<b>Nominal ratings</b>		
Operating voltage	$U_B$	5 ... 30 V DC
Switching frequency	$f$	0 ... 1200 Hz
Hysteresis	$H$	typ. 5 %
Short-circuit protection		pulsing
Voltage drop	$U_d$	$\leq 1.5$ V
Operating current	$I_L$	0 ... 100 mA
Off-state current	$I_r$	$\leq 10$ $\mu$ A
No-load supply current	$I_0$	$\leq 15$ mA
Time delay before availability	$t_v$	$\leq 20$ ms
<b>Functional safety related parameters</b>		
MTTF <sub>d</sub>		4830 a
Mission Time (T <sub>M</sub> )		20 a
Diagnostic Coverage (DC)		0 %
<b>Compliance with standards and directives</b>		
Standard conformity		
Standards		EN 60947-5-2:2007 EN 60947-5-2/A1:2012 IEC 60947-5-2:2007 IEC 60947-5-2 AMD 1:2012
<b>Approvals and certificates</b>		
CCC approval		CCC approval / marking not required for products rated $\leq 36$ V
<b>Ambient conditions</b>		
Ambient temperature		-25 ... 70 °C (-13 ... 158 °F)
<b>Mechanical specifications</b>		
Connection type		Cable connector M12 x 1 , 3-pin with PVC cable L = 160 mm $\pm$ 5 mm
Core cross section		0.09 mm <sup>2</sup>
Housing material		PA
Sensing face		PA
Degree of protection		IP67
Cable		
Cable diameter		2.3 mm $\pm$ 0.2 mm
Bending radius		> 10 x cable diameter

## Connection



## Connection Assignment





## Connection Assignment

Wire colors in accordance with EN 60947-5-2

1	BN	(brown)
2	WH	(white)
3	BU	(blue)
4	BK	(black)

## Accessories

	<b>V1-G-2M-PUR</b>	Female cordset single-ended M12 straight A-coded, 4-pin, PUR cable grey
	<b>V1-W-2M-PUR</b>	Female cordset single-ended M12 angled A-coded, 4-pin, PUR cable grey

Release date: 2022-06-30 Date of issue: 2022-06-30 Filename: 301491\_eng.pdf

Refer to "General Notes Relating to Pepperl+Fuchs Product Information".