

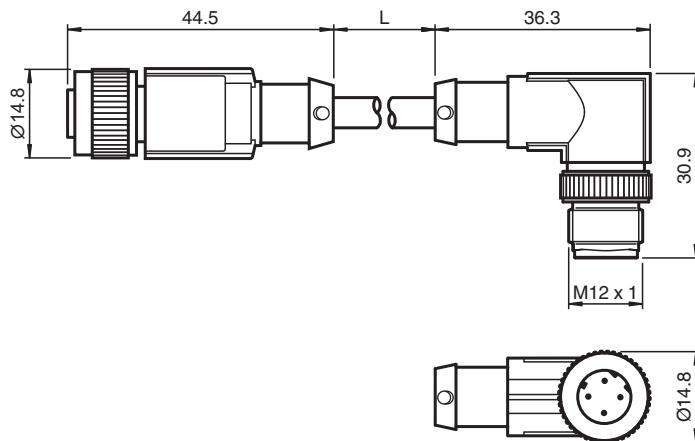
Connection cable, Ethernet V1D-G-2M-PUR-ABG-V1SD-90-W

- Hard-wearing PUR cable
- D coding for Ethernet
- Cat 5 cable
- Degree of protection IP65 / IP67
- Oil resistant
- Halogen-free

Ethernet bus cable M12 socket straight to M12 plug angled D-coded, 4-pin, PUR cable blue, Cat5, shielded, oil resistant



Dimensions



Technical Data

General specifications	
Customization	Coding rotated by -90°
Connector 1	
Connection	socket
Construction type	M12
Style	straight
Locking	screw connection
Number of pins	4
Coding	D-coded
Connector 2	
Connection	plug
Construction type	M12
Style	angled
Locking	screw connection
Number of pins	4
Coding	D-coded

Release date: 2023-07-04 Date of issue: 2023-07-04 Filename: 302775_eng.pdf

Refer to "General Notes Relating to Pepperl+Fuchs Product Information".

Pepperl+Fuchs Group
www.pepperl-fuchs.com

USA: +1 330 486 0001
fa-info@us.pepperl-fuchs.com

Germany: +49 621 776 1111
fa-info@de.pepperl-fuchs.com

Singapore: +65 6779 9091
fa-info@sg.pepperl-fuchs.com

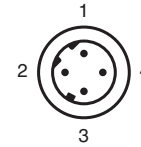
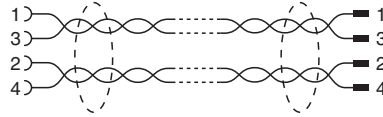
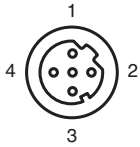
PEPPERL+FUCHS

Technical Data

Customization		Coding rotated by -90°
Electrical specifications		
Operating voltage	U _B	max. 48 V AC / 60 V DC
Rated current	I _r	2 A
Test voltage		700 V
Conformity		
Degree of protection		EN 60529
Fieldbus standard		Ethernet 100 Mbit/s
Plug connection		connector M12 x 1 : IEC 61076-2-101
Component category		CAT5 (IEC 11801)
Flammability		IEC 60332-1-2 / UL 2556
Halogen-free		IEC 60754-1
Oil resistance		DIN EN 60811-2-1
Ambient conditions		
Ambient temperature		
Plug connector		-25 ... 90 °C (-13 ... 194 °F)
Cable, fixed		-40 ... 80 °C (-40 ... 176 °F)
Cable, flexing		-20 ... 80 °C (-4 ... 176 °F)
Storage temperature		-20 ... 80 °C (-4 ... 176 °F)
Pollution degree		3
Mechanical specifications		
Plug connector		
Tightening torque		0.4 Nm
Tool installation		straight knurling
Mating cycles		min. 100
Degree of protection		IP65/IP67
Cable		according to IEC/EN 60228 (DIN VDE 0295) class 5
Sheath diameter		6.4 mm
Bending radius		> 8 x cable diameter, moving > 4 x cable diameter, fixed
Sheath color		water blue (RAL 5021)
Number of cores		4
Core cross section		0.14 mm ² / 26 AWG
Cores color		Core 1: white/orange Core 2: white/green Core 3: orange Core 4: green
Conductor construction		
Core construction		7 x 0.16 mm Ø twisted pairs
Shield		aluminum-lined polyester foil Tinned copper braiding, 70 % coverage
Length	L	2 m
Material		
Halogen-free		yes
Plug connector		
Screw connection		Zinc diecast, nickel-plated
Body		TPU, black
Contact surface		Ni/Au
Flammability		V-2
Cable		
Sheathing		PUR
Core insulation		PE
Oil resistance		yes
Flammability		VW-1

Release date: 2023-07-04 Date of issue: 2023-07-04 Filename: 302775_eng.pdf

Connection



Accessories

	MH V1-SCREWDRIVER	Torque screwdriver (0.6 Nm)
	MH V1-BIT M12	plug-in cap M12
	V1/V3-LABELHOLDER	Label holder
	V1/V3-LABEL	Label plate
	MH V1-Holder	Modular universal holder for M12 connectors
	V1-CLIP	Unlocking protector for M12 connector
	V1-MARKING-RING-COLOR	Marking rings for M12 connectors, various colors