



Model Number

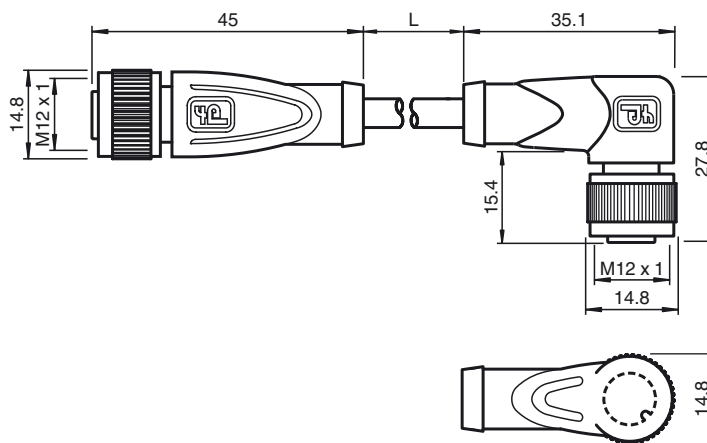
V1-G-BK0,75M-PVC-U-V1-W-Y30643

Cordset, M12 socket to M12 socket, PVC cable, 4-pin

Features

- Knurled nut suitable for tool assembly
- Immunity to vibration, with mechanical latching
- Gold-plated and machined contacts
- Degree of protection IP67 / IP68 / IP69K
- UL Recognized Component

Dimensions



Technical data

General specifications

Number of pins	4
Connection 1	socket
Construction type 1	straight
Threading 1	M12
Connection 2	socket
Construction type 2	right angle
Threading 2	M12

Ambient conditions

Ambient temperature	Body: -40 ... 90 °C (-40 ... 194 °F)
Pollution degree	3

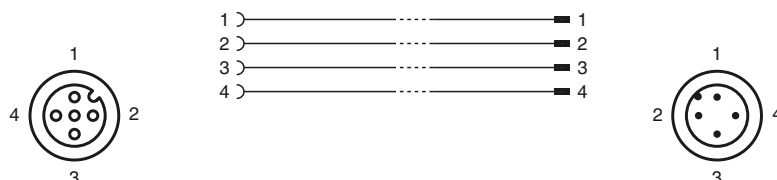
Mechanical specifications

Contact elements	spring-loaded contact socket
Pin diameter	1 mm
Degree of protection	IP67 / IP68 / IP69k
Material	
Contacts	CuSn / Au
Contact surface	Au
Body	TPU, black
Cable	PVC
Slotted nut	Diecast zinc
Cable	
Length	L 0.75 m
Flammability	
Contact carrier	HB
Housing	V-2

Compliance with standards and directives

Standard conformity	
Degree of protection	EN 60529
Standards	IEC 61076-2-101
Flammability	Grip: UL 94

Electrical connection



Release date: 2018-03-28 07:34 Date of issue: 2018-04-12 306432_eng.xml