



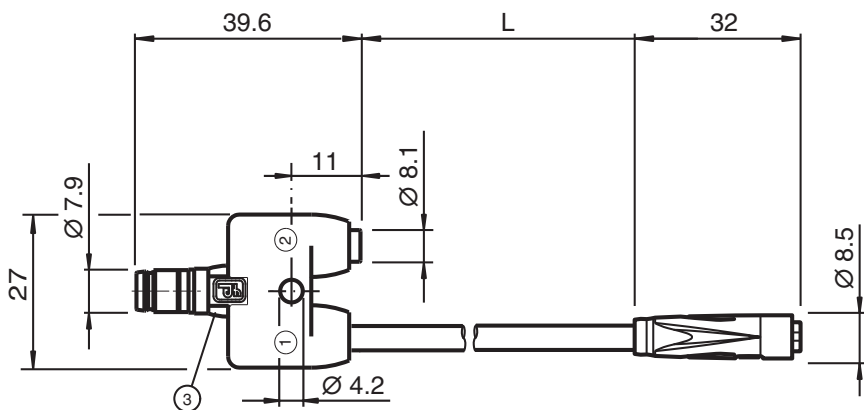
## Y connection cable V31-0,3M-PVC/V31-YEE-V31-YELS

- Easy merging of two signals at a single M8 slot
- Snap locking
- UL listed for USA and Canada

Y connection cable M8 plug snap-lock straight A-coded 4-pin to 2x M8 socket snap-lock straight A-coded 4-pin, PVC cable black, UL approved



### Dimensions



### Technical Data

#### General specifications

|                   |              |
|-------------------|--------------|
| Connector 1       |              |
| Connection        | socket       |
| Construction type | M8           |
| Style             | straight     |
| Locking           | snap locking |
| Number of pins    | 4            |
| Coding            | A-coded      |
| Connector 2       |              |
| Connection        | socket       |
| Construction type | M8           |
| Style             | straight     |
| Locking           | snap locking |
| Number of pins    | 4            |
| Coding            | A-coded      |
| Connector 3       |              |

Release date: 2024-03-15 Date of issue: 2024-03-15 Filename: 309689\_eng.pdf

Refer to "General Notes Relating to Pepperl+Fuchs Product Information".

Pepperl+Fuchs Group  
www.pepperl-fuchs.com

USA: +1 330 486 0001  
fa-info@us.pepperl-fuchs.com

Germany: +49 621 776 1111  
fa-info@de.pepperl-fuchs.com

Singapore: +65 6779 9091  
fa-info@sg.pepperl-fuchs.com

**PF** PEPPERL+FUCHS

## Technical Data

|                                   |       |   |
|-----------------------------------|-------|---|
| Connection                        |       | plug  |
| Construction type                 |       | M8  |
| Style                             |       | straight  |
| Locking                           |       | snap locking  |
| Number of pins                    |       | 4   |
| Coding                            |       | A-coded   |
| <b>Electrical specifications</b>  |       |   |
| Operating voltage                 | $U_B$ | max. 30 V AC/DC   |
| Operating current                 | $I_B$ | max. 3 A  |
| <b>Conformity</b>                 |       |   |
| Degree of protection              |       | EN 60529  |
| Plug connection                   |       | connector M8 x 1 : IEC 61076-2-104                              |
| Flammability                      |       | UL 1581 , IEC 60332-1-2   |
| <b>Approvals and certificates</b> |       |   |
| UL approval                       |       | AWM STYLE 2095 AWM I/II A/B 80°C 300V FT1 (cable)               |
| UL File Number                    |       | E231213   |
| <b>Ambient conditions</b>         |       |   |
| Ambient temperature               |       |   |
| Plug connector                    |       | -40 ... 90 °C (-40 ... 194 °F)                                  |
| Cable, fixed                      |       | -25 ... 80 °C (-13 ... 176 °F)                                  |
| Cable, flexing                    |       | -5 ... 80 °C (23 ... 176 °F)                                    |
| Pollution degree                  |       | 3   |
| <b>Mechanical specifications</b>  |       |   |
| Plug connector                    |       |   |
| Mating cycles                     |       | min. 100  |
| Degree of protection              |       | IP65  |
| Cable                             |       |   |
| Sheath diameter                   |       | 4.3 mm  |
| Bending radius                    |       | > 15 x cable diameter, moving<br>> 5 x cable diameter, fixed    |
| Sheath stripping force            |       | max. 50 N / 300 mm  |
| Sheath color                      |       | black (similar to RAL 9005)                                     |
| Number of cores                   |       | 4   |
| Core cross section                |       | 0.34 mm <sup>2</sup>  |
| Cores color                       |       | Core 1: brown<br>Core 2: white<br>Core 3: blue<br>Core 4: black |
| Core construction                 |       | 19 x 0.15 mm Ø  |
| Length                            | L     | 0.3 m   |
| Cable code                        |       | Li YY 4 x 0,34  |
| <b>Material</b>                   |       |   |
| Plug connector                    |       |   |
| Body                              |       | PUR, black  |
| Contact surface                   |       | Au  |
| Flammability                      |       | V-2   |
| Cable                             |       |   |
| Sheathing                         |       | PVC   |
| Core insulation                   |       | PVC   |
| Flammability                      |       | FT1   |

Release date: 2024-03-15 Date of issue: 2024-03-15 Filename: 309689\_eng.pdf

Refer to "General Notes Relating to Pepperl+Fuchs Product Information".

Pepperl+Fuchs Group  
www.pepperl-fuchs.com

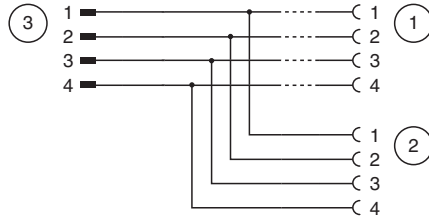
USA: +1 330 486 0001  
fa-info@us.pepperl-fuchs.com

Germany: +49 621 776 1111  
fa-info@de.pepperl-fuchs.com

Singapore: +65 6779 9091  
fa-info@sg.pepperl-fuchs.com

 PEPPERL+FUCHS

# Connection Assignment



Release date: 2024-03-15 Date of issue: 2024-03-15 Filename: 309689\_eng.pdf