

RFID Transponder

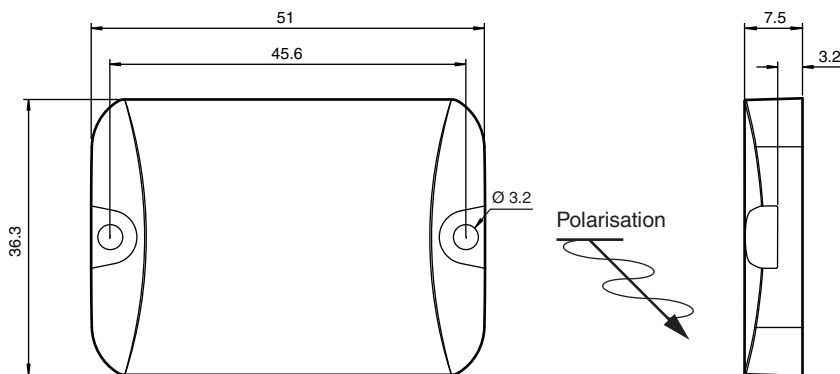
IUC76-F157-T18-M-FR2



- Operating frequency 902 ... 928 MHz
- Complies with EPC Gen2 (ISO/IEC 18000-63)
- Sturdy housing, suitable for rough industrial use
- Optimized for mounting on metal
- Designed for paint shop applications

Data carrier for paint shop applications

Dimensions



Technical Data

General specifications

Operating frequency	902 ... 928 MHz
Polarization	linear

Memory

Chip Type	Higgs-3 (Alien)
Memory Bank 00 (Reserved)	64 Bit
Memory Bank 01 (EPC/UII)	96 ... 480 Bit
Memory Bank 10 (TID)	96 Bit
Memory Bank 11 (User memory)	512 Bit
Read cycles	unlimited
Write cycles	> 100000
Data retention period	50 years @ 77 °C (170.6 °F)

Standard conformity

Degree of protection	EN 60529
RFID	ISO/IEC 18000-63

Ambient conditions

Ambient temperature	-40 ... 85 °C (-40 ... 185 °F)
---------------------	--------------------------------

Release date: 2021-04-22 Date of issue: 2021-04-22 Filename: 309731_eng.pdf

Refer to "General Notes Relating to Pepperl+Fuchs Product Information".

Technical Data

Storage temperature	-40 ... 150 °C (-40 ... 302 °F) 30 minutes at 250 °C (dry heat) for 600 test cycles, 1 hour cooling Peak temperature 6 hours at 250 °C (482 °F)
Shock and impact resistance	3 ft (1m) to concrete up to 200 cycles
Mechanical specifications	
Housing length	51 mm
Housing width	36.3 mm
Housing height	7.5 mm
Degree of protection	IP68
Material	
Housing	PA 6
Installation	
On metal	yes
Mass	28 g
Construction type	Rectangular type

Mounting

High temperatures will cause the housing to expand.
If the housing is assembled under mechanical stress, the resulting pressure may damage the tag.
Install the tag loosely to allow for expansion due to high temperatures.