



# Inclination sensor INY160DH-F199-B16-V15

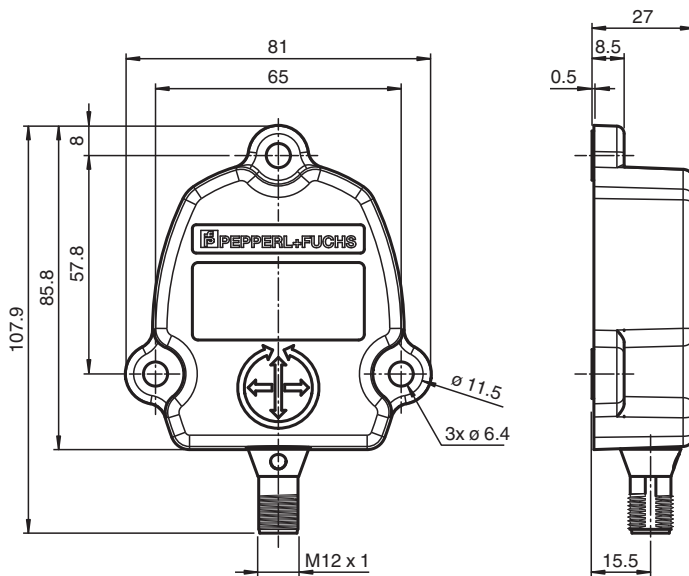
- Sturdy housing
- High accuracy of  $\leq \pm 0,15^\circ$
- CANopen interface
- 2-axis with  $\pm 80^\circ$  measuring range



## Function

This inclination sensor has a CANopen interface. With its sturdy housing and its high accuracy, it is ideally suited for applications in the fields of solar, wind or mobile equipment.

## Dimensions



## Technical Data

### General specifications

Type	Inclination sensor, 2-axis
Time delay before availability	150 ms
Measurement range	$\pm 80^\circ$

Release date: 2020-06-22 Date of issue: 2020-06-22 Filename: 312754\_eng.pdf

Refer to "General Notes Relating to Pepperl+Fuchs Product Information".

Pepperl+Fuchs Group  
www.pepperl-fuchs.com

USA: +1 330 486 0001  
fa-info@us.pepperl-fuchs.com

Germany: +49 621 776 1111  
fa-info@de.pepperl-fuchs.com


Singapore: +65 6779 9091  
fa-info@sg.pepperl-fuchs.com

**PF** PEPPERL+FUCHS

## Technical Data

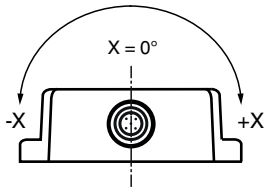
Absolute accuracy		$\leq \pm 0.15^\circ$ for measuring range $\leq \pm 60^\circ$ $\leq \pm 0.4^\circ$ for measuring range $\geq \pm 60^\circ$
Response delay		$\leq 25$ ms
Resolution		$\leq 0.01^\circ$
Temperature influence		$\leq 0.004^\circ/\text{K}$
<b>Functional safety related parameters</b>		
MTTF <sub>d</sub>		700 a at 40 °C
Mission Time (T <sub>M</sub> )		20 a
Diagnostic Coverage (DC)		0 %
<b>Indicators/operating means</b>		
Status indicator		dual-LED, green/red
<b>Electrical specifications</b>		
Operating voltage	U <sub>B</sub>	10 ... 30 V DC
No-load supply current	I <sub>0</sub>	$\leq 65$ mA at 10 V DC $\leq 60$ mA at 24 V DC
<b>Interface</b>		
Interface type		CANopen
Device profile		DS 410
Node ID		1 ... 127 , programmable , factory setting 1 decimal
Transfer rate		20 ... 1000 kBit/s , programmable , factory setting 125 kBit/s
Output driver		transceiver according ISO 11898, galvanically isolated by means of photocouplers
<b>Compliance with standards and directives</b>		
Standard conformity		
Noise immunity		EN 61000-6-2
Emitted interference		EN 61000-6-4
Shock and impact resistance		DIN EN 60068-2-27, 100 g, 6 ms
Vibration resistance		DIN EN 60068-2-6, 20 g, 10 ... 2000 Hz
<b>Ambient conditions</b>		
Ambient temperature		-40 ... 85 °C (-40 ... 185 °F)
Storage temperature		-40 ... 85 °C (-40 ... 185 °F)
<b>Mechanical specifications</b>		
Connection type		5-pin, M12 x 1 connector , A-coded
Housing material		aluminum, corrosion-resistant
Degree of protection		IP68 / IP69
Mass		approx. 200 g

## Accessories

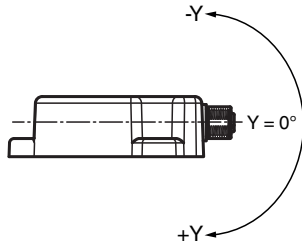
	<b>V15S-T-CAN/DN-V15</b>	Y-Splitter, M12 socket on M12 connector/socket
---	--------------------------	--

**Mounting**

**X-Orientation**



**Y-Orientation**



**Indication**

**LED-indicator with dual color LED**

CAN Run (green)	State	Description
Flashing	Pre-Operational	Boot up message is sent, device configuration is possible, device is in CAN state „Pre-Operational“
Single flash	Stopped	The device is in CAN state „Stopped“
On	Operational	The device is in CAN state „Operational“
Off		No power supply
Err (red)	State	Description
Off	No error	The device is in operating mode
Flashing	Configuration fault	General configuration fault (such as wrong baudrate)
Single flash	Warning limit reached	At least one of the error counters of the CAN controller has reached or exceeded the warning level (too many error frames)
Double flash	Error control event	A guard event (NTM slave or NTM master) or a heartbeat event has occurred
On	Bus off	The CAN controller is in stae bus off. No communication possible anymore. Too many error frames in the network.

**Connection**

**Electrical connection**

Signal	5-pin, M12 x 1 connector
CAN GND	1
+Vs	2
GND	3
CAN-High	4
CAN-Low	5
Pinout	

Release date: 2020-06-22 Date of issue: 2020-06-22 Filename: 312754\_eng.pdf

Refer to "General Notes Relating to Pepperl+Fuchs Product Information".