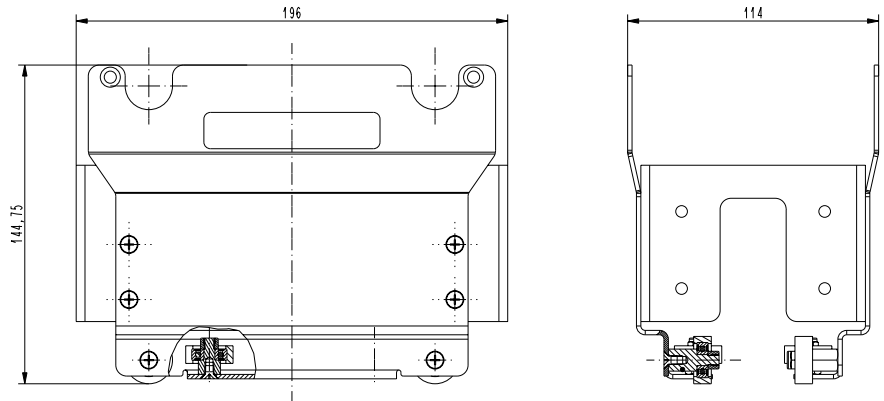


## Dimensions



## Technical data

### General specifications

Passage speed	v	≤ 8 m/s
---------------	---	---------

### Ambient conditions

Operating temperature	-40 ... 60 °C (-40 ... 140 °F)
Storage temperature	-40 ... 85 °C (-40 ... 185 °F)

### Mechanical specifications

Bending radius	≥ 1000 mm
Material	
Guide trolley	stainless steel 1.4404 / AISI 316L (V4A)
Casters	stainless steel
Running surface	TPU, black
Mass	1000 g

## Model number

### WCS3-GT09-P1-O

WCS3 guiding trolley for the WCS3B read head with protective enclosure, outdoor use

## Features

- Ensures the optimum alignment of reading head and code rail
- Plastic rollers

**Accessories****WCS3B-LS510D-OM**

Reader with protective enclosure,  
EtherNet/IP interface

**WCS3B-LS510H-OM**

Reader with protective enclosure,  
EtherNet/IP interface

**WCS3B-LS510DH-OM**

Reader with protective enclosure,  
EtherNet/IP interface

**WCS3B-LS510-OM**

Reader with protective enclosure,  
EtherNet/IP interface

**WCS-GT-WL-P**

WCS roller

**WCS3-CS70-M1**

Code rail, stainless steel

**WCS3B-LS610H-OM**

Reader with protective housing and PRO-  
FINET interface

**WCS3B-LS610-OM**

Reader with protective housing and PRO-  
FINET interface

**WCS3B-LS221H-OL**

Read head, RS-485 interface,  
with RS-485 termination resistor

**WCS3B-LS221H-OM**

Read head, RS-485 interface,  
with RS-485 termination resistor

**WCS3B-LS221H-OR**

Read head, RS-485 interface,  
with RS-485 termination resistor

**WCS3B-LS311DH-OM**

Reading head, SSI interface, Gray code