

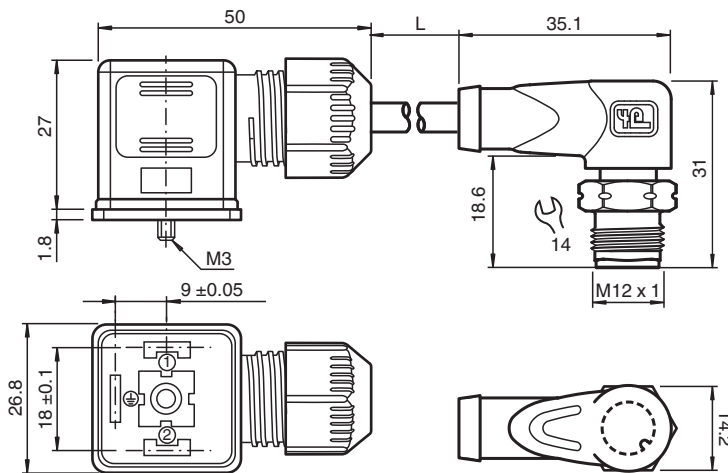
Valve Connector Cordset

VMA-2+P-N-BU0,6M-PVC-V1-WV4A-Y

- Valve connector according EN 175301-803 A/ISO 4400 (previously DIN 43650)
- Suitable for NAMUR technology
- Gold plated contacts
- Union screw made from stainless steel
- Immunity to vibration, with mechanical latching
- Suitable for routing intrinsically safe circuits in accordance with DIN EN 60079-14:2014

Valve connector Form A 2-pin+PE to M12 plug stainless steel 1.4404, A-coded 2-pin, PVC cable blue, NAMUR

Dimensions



Technical Data

General specifications

Connector 1	
Connection	Valve connector DIN
Style	right angle
Locking	screw connection
Number of pins	2 + PE
Connector 2	
Connection	Male connector
Construction type	M12
Style	right angle
Locking	screw connection
Number of pins	2
Coding	A-coded

Electrical specifications

Operating voltage	U _B	max. 250 V AC/DC
-------------------	----------------	------------------

Release date: 2020-04-09 Date of issue: 2020-04-09 Filename: 315841_eng.pdf

Refer to "General Notes Relating to Pepperl+Fuchs Product Information".

Pepperl+Fuchs Group
www.pepperl-fuchs.com

USA: +1 330 486 0001
fa-info@us.pepperl-fuchs.com

Germany: +49 621 776 1111
fa-info@de.pepperl-fuchs.com

Singapore: +65 6779 9091
fa-info@sg.pepperl-fuchs.com

PF PEPPERL+FUCHS

Technical Data

Operating current	I _B	max. 4 A
Inductance per unit length	R'	max. 0.053 Ω/m
Capacitance per unit length	C'	101.8 nF/km
Inductance per unit length	L'	0.581 mH/km
Conformity		
Degree of protection		EN 60529
Plug connection		connector M12 x 1 : IEC 61076-2-101 Valve connector : DIN EN 175301-803
Ambient conditions		
Ambient temperature		
Connector 1		-40 ... 90 °C (-40 ... 194 °F)
Connector 2		-40 ... 90 °C (-40 ... 194 °F)
Cable, fixed		-25 ... 70 °C (-13 ... 158 °F)
Cable, flexing		-5 ... 70 °C (23 ... 158 °F)
Storage temperature		Connector 2 : -40 ... 125 °C (-40 ... 257 °F) :
Pollution degree		3
Mechanical specifications		
Connector 1		
Tightening torque		0.4 Nm
Degree of protection		IP67
Connector 2		
Tightening torque		0.6 Nm
Loosening protection		available
Tool installation		hexagon nut SW = 14 mm
Mating cycles		min. 100
Degree of protection		IP67 / IP68 / IP69
Pollution degree		3
Cable		
according to IEC/EN 60228 (DIN VDE 0295) class 5		
Sheath diameter		4.8 mm
Bending radius		> 10 x cable diameter, fixed > 15 x cable diameter, moving
Sheath color		blue (similar to RAL 5015)
Number of cores		2
Core cross-section		0.34 mm ²
Cores color		Core 1: brown Core 2: blue
Core construction		19 x 0.15 mm Ø
Length	L	0.6 m
Cable code		Li YY 2 x 0,34
Material		
Connector 1		
Body		PA, black
Seal		NBR
Contact surface		Ag
Connector 2		
Knurled screw connection		stainless steel 1.4404 / AISI 316L
Body		TPU, black
Contact surface		Au
Flammability		V-2
Cable		
Sheathing		PVC
Core insulation		PVC

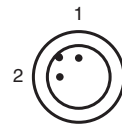
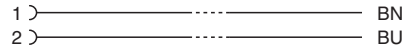
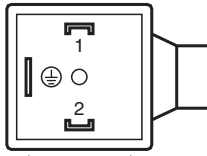
Release date: 2020-04-09 Date of issue: 2020-04-09 Filename: 315841_eng.pdf

Refer to "General Notes Relating to Pepperl+Fuchs Product Information".

Pepperl+Fuchs Group
www.pepperl-fuchs.comUSA: +1 330 486 0001
fa-info@us.pepperl-fuchs.comGermany: +49 621 776 1111
fa-info@de.pepperl-fuchs.comSingapore: +65 6779 9091
fa-info@sg.pepperl-fuchs.com

PEPPERL+FUCHS

Connection Assignment



Release date: 2020-04-09 Date of issue: 2020-04-09 Filename: 315841_eng.pdf

Refer to "General Notes Relating to Pepperl+Fuchs Product Information".

Pepperl+Fuchs Group
www.pepperl-fuchs.com

USA: +1 330 486 0001
fa-info@us.pepperl-fuchs.com

Germany: +49 621 776 1111
fa-info@de.pepperl-fuchs.com

Singapore: +65 6779 9091
fa-info@sg.pepperl-fuchs.com