

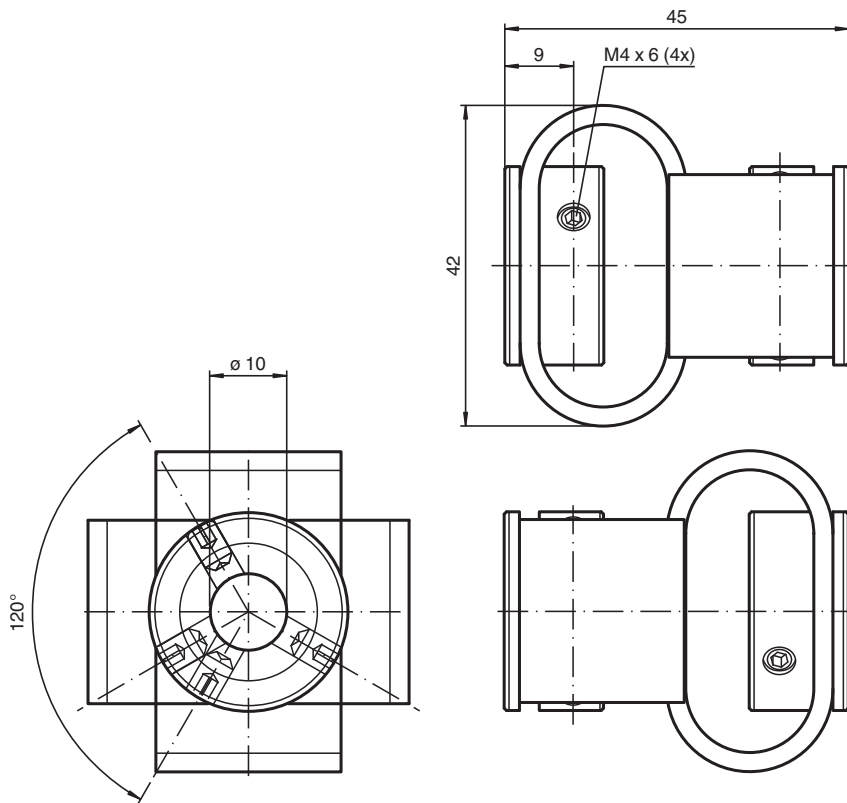
Coupling

9408 10*10

- Average torsional rigidity
- Small reset forces
- Shock- and vibration-absorbing
- Thermally and electrically insulating
- Very good compensation of radial, lateral and angular misalignments
- Maintenance-free

Double loop coupling 10 x 10

Dimensions



Technical Data

Ambient conditions

Operating temperature -30 ... 80 °C (-22 ... 176 °F)

Mechanical specifications

Shaft diameter	10 mm
Material	
Fastener	Polyurethane
End piece	Zinc plated steel
Mass	85 g

Release date: 2022-04-21 | Date of issue: 2022-12-12 | Filename: 317310_eng.pdf

Refer to "General Notes Relating to Pepperl+Fuchs Product Information".

Pepperl+Fuchs Group
www.pepperl-fuchs.com

USA: +1 330 486 0001
fa-info@us.pepperl-fuchs.com

Germany: +49 621 776 1111
fa-info@de.pepperl-fuchs.com

Singapore: +65 6779 9091
fa-info@sg.pepperl-fuchs.com

PF PEPPERL+FUCHS

Technical Data

Rotational speed	max. 3000 min
Max. torque	2 Nm
Radial offset	max. \pm 3 mm
Axial offset	max. \pm 4 mm
Angle error	max. \pm 12 °
Torsion spring stiffness	28 Nm / rad
Radial spring stiffness	7 N / mm
Moment of inertia	106 kg m ² x 10 ⁻⁷
Mounting	clamp screws M4 x 6, DIN 916
Tightening torque of clamping screws	max. 1 Nm