

Universal holder

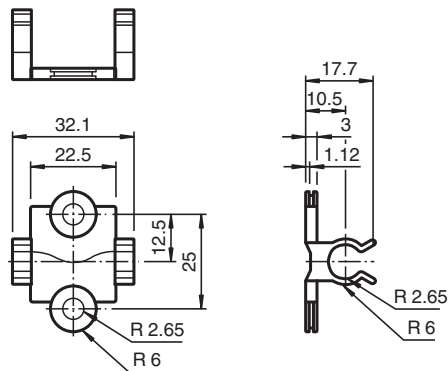
MH V3-Holder



- Modular universal holder
- Free from substances that impair paint wetting

Modular universal holder for M8 connectors

Dimensions



Technical Data

Ambient conditions	
Installation temperature	-25 ... 85 °C (-13 ... 185 °F)
Mechanical specifications	
Connection	9 mm
Installation	Distance between mounting holes: 25 mm
Note	Packaging unit, 10-piece

Release date: 2020-03-24 Date of issue: 2020-06-30 Filename: 318647_eng.pdf

Refer to "General Notes Relating to Pepperl+Fuchs Product Information".

Pepperl+Fuchs Group
www.pepperl-fuchs.com

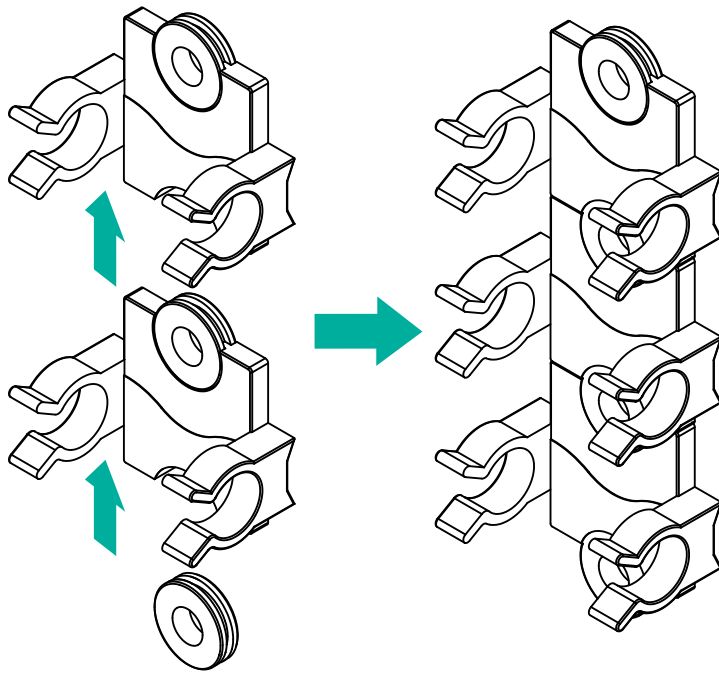
USA: +1 330 486 0001
fa-info@us.pepperl-fuchs.com

Germany: +49 621 776 1111
fa-info@de.pepperl-fuchs.com

Singapore: +65 6779 9091
fa-info@sg.pepperl-fuchs.com

 **PEPPERL+FUCHS**

Mounting



Release date: 2020-03-24 Date of issue: 2020-06-30 Filename: 318647_eng.pdf

Refer to "General Notes Relating to Pepperl+Fuchs Product Information".

Pepperl+Fuchs Group
www.pepperl-fuchs.com

USA: +1 330 486 0001
fa-info@us.pepperl-fuchs.com

Germany: +49 621 776 1111
fa-info@de.pepperl-fuchs.com

Singapore: +65 6779 9091
fa-info@sg.pepperl-fuchs.com