

Male connector, field-attachable

V15SL-G-BK

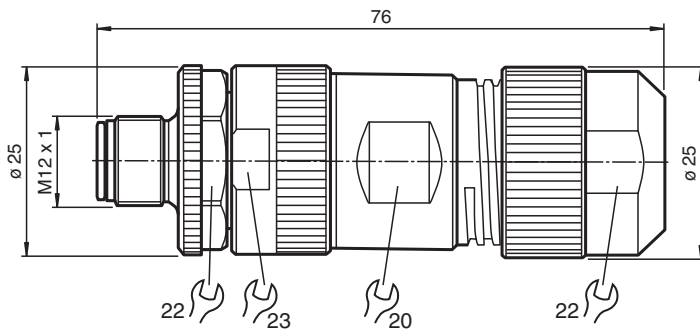


- Field-attachable
- Screw terminal connection
- Metal locking
- Knurled nut suitable for tool assembly
- UL Recognized Component

Male connector M12 straight L-coded 5-pin, for cable diameter 8 - 13 mm, field-attachable



Dimensions



Technical Data

General specifications

Connector 1	
Connection	plug
Construction type	M12
Style	straight
Locking	screw connection
Number of pins	5
Coding	L-coded

Electrical specifications

Rated operating voltage	U_e	max. 48 V AC / 63 V DC
Rated operating current	I_e	1.5 mm ² , AWG 16 : 12 A 2.5 mm ² , AWG 14 : 16 A
Insulation resistance		min. 10000 M Ω

Conformity

Degree of protection	EN 60529
Plug connection	connector M12 x 1 : IEC 61076-2-101

Approvals and certificates

UL File Number	E363587
----------------	---------

Ambient conditions

Ambient temperature	-40 ... 105 °C (-40 ... 221 °F)
Pollution degree	3

Release date: 2024-04-12 Date of issue: 2024-04-12 Filename: 318794_eng.pdf

Refer to "General Notes Relating to Pepperl+Fuchs Product Information".

Pepperl+Fuchs Group
www.pepperl-fuchs.com

USA: +1 330 486 0001
fa-info@us.pepperl-fuchs.com

Germany: +49 621 776 1111
fa-info@de.pepperl-fuchs.com

Singapore: +65 6779 9091
fa-info@sg.pepperl-fuchs.com

PF PEPPERL+FUCHS

Technical Data

Mechanical specifications

Plug connector		
Tightening torque		0.6 Nm
Tool installation		straight knurling , hexagon nut SW = 22 mm
Mating cycles		min. 100
Degree of protection		IP67
Connection		screw terminals for max. 1.5 mm ² / AWG 16 with wire end ferrule screw terminals for max. 2.5 mm ² / AWG 14 without wire end ferrule
Cable		
Sheath diameter		8 ... 13 mm
Mass		42.89 g
Material		
Plug connector		
Screw connection		CuZn, nickel-plated
Body		PA, black
Contact surface		Au
Flammability		V-0

Connection Assignment

